

REQUEST FOR PROPOSAL

CITY OF NAPLES
 PURCHASING DIVISION
 CITY HALL, 735 8TH STREET SOUTH
 NAPLES, FL 34102

PH: 239-213-7100 FX: 239-213-7105

NOTIFICATION DATE: 07/13/12	TITLE City of Naples Parking Garage Improvements	NUMBER: 048-12	OPENING DATE & TIME: 08/06/12 2:00 PM
PRE-PROPOSAL DATE, TIME AND LOCATION: Non-mandatory pre-bid meeting scheduled for 10:00 AM, July 19, 2012 at the North Parking Garage (East Entrance),, 400 8 th Street South, Naples, FL 34102.			
NAME OF PARTNERSHIP, CORPORATION OR INDIVIDUAL:			
MAILING ADDRESS:			

PLEASE NOTE THE FOLLOWING:

CITY-STATE-ZIP:	
PH:	EMAIL:
FX:	WEB ADDRESS:

> **This page must be completed and returned with your proposal.**

AUTHORIZED SIGNATURE	DATE	PRINTED NAME/TITLE
Please initial by all that apply I acknowledge receipt of the following addendum _____Addendum #1 _____Addendum #2 _____Addendum #3 _____Addendum #4		
of Naples all rights, title, and interest in and to all causes of action it may now or hereafter acquire under the Anti-trust laws of the United States and the State of FL for price fixing relating to the particular commodities or services purchased or acquired by the City of Naples. At the City's discretion, such assignment shall be made and become effective at the time the City tenders final payment to the proposer.		

- > **Proposals must be submitted in a sealed envelope, marked with proposal number & closing date.**
- > **Proposals received after the above closing date and time will not be accepted.**
- > **Proposal tabulations will be available on the City of Naples web site www.naplesgov.com**

GENERAL CONDITIONS

TO INSURE ACCEPTANCE OF THE PROPOSAL, PLEASE FOLLOW THESE INSTRUCTIONS. ANY AND ALL SPECIAL CONDITIONS, ATTACHED HERETO, HAVE PRECEDENCE.

1. SEALED PROPOSAL: All proposals must be submitted in a sealed envelope. The face of the envelope shall contain the proposal name and proposal number. Proposals not submitted on attached proposal form shall be rejected. All proposals are subject to the conditions specified herein. Those which do not comply with these conditions are subject to rejection.

2. EXECUTION OF PROPOSAL: Proposal must contain a manual signature of authorized representative in the proposal section. Proposal must be typed or printed in ink. Use of erasable ink is not permitted. All corrections made by proposer to his proposal must be initialed.

3. NO PROPOSAL: If not submitting a proposal, respond by returning the Statement of No Proposal and explain the reason in the spaces provided. Failure to respond 3 times in succession without justification shall be cause for removal of the supplier's name from the proposal mailing list. NOTE: To qualify as a respondent, proposer must submit a "NO PROPOSAL," and it must be received no later than the stated proposal opening date and hour.

4. PROPOSAL OPENING: Shall be public, on the date and at the time specified on the proposal form. It is the proposer's responsibility to assure that his proposal is delivered at the proper time and place of the proposal opening. Proposals which for any reason are not so delivered will not be considered. Offers by telegram; telephone; or fax are not acceptable. Proposal files may be examined during normal working hours.

5. WITHDRAWAL OF PROPOSALS: Withdrawal of a proposal within sixty (60) days after the opening of proposals is subject to suspension or debarment in accordance with Policy 7-4 for up to three years.

6. PRICES, TERMS and PAYMENT: Firm Prices shall be proposal and include all packing, handling, shipping charges and delivery to the destination shown herein. Proposer is encouraged to offer cash discount for prompt invoice payment. Terms of less than 20 days will not be considered.

A. TAXES: The City of Naples does not pay Federal Excise and Sales taxes on direct purchases of tangible personal property. See exemption number on face of purchase order. This exemption does not apply to purchases of tangible personal property made by contractors who use the tangible personal property in the performance of contracts for the improvement of City-owned real property.

B. MISTAKES: Proposers are expected to examine the specifications, delivery schedule, proposal prices, extensions, and all instructions pertaining to supplies and services. Failure to do so will be at proposer's risk. In case of mistake in extension, the unit price will govern.

C. CONDITION AND PACKAGING: It is understood and agreed that any item offered or shipped as a result of this proposal shall be a new, current standard production model available at the time of this proposal. All containers shall be suitable for storage or shipment, and all prices shall include standard commercial packaging.

D. SAFETY STANDARDS: Unless otherwise stipulated in the proposal, all manufactured items and fabricated assemblies shall comply with applicable requirements of Occupational Safety and Health Act and any standards there under.

E. UNDERWRITERS' LABORATORIES: Unless otherwise stipulated in the proposal, all manufactured items and fabricated assemblies shall carry U.L. approval and re-examination listing where such has been established.

F. PAYMENT: Payment will be made by the buyer after the items awarded to a vendor have been received, inspected, and found to comply with award specifications, free of damage or defect and properly invoiced. All invoices shall bear the purchase order number. Payment for partial shipments shall not be made unless specified in the proposal. Failure to follow these instructions may result in delay in processing

invoices for payment. In addition, the purchase order number must appear on bills of lading, packages, cases, delivery lists and correspondence.

7. DELIVERY: Unless actual date of delivery is specified (or if specified delivery cannot be met), show number of days required to make delivery after receipt of purchase order in space provided. Delivery time may become a basis for making an award (see Special Conditions). Delivery shall be within the normal working hours of the user, Monday through Friday, unless otherwise specified.

8. MANUFACTURERS' NAMES AND APPROVED EQUIVALENTS: Any manufacturers' names, trade names, brand names, information and/or catalog numbers listed in a specification are for information and not intended to limit competition. The proposer may offer any brand for which he is an authorized representative, which meets or exceeds the specification for any item(s). If proposals are based on equivalent products, indicate on the proposal form the manufacturer's name and number. Proposer shall submit with his proposal, cuts, sketches, and descriptive literature, and/or complete specifications. Reference to literature submitted with a previous proposal will not satisfy this provision. The proposer shall also explain in detail the reason(s) why the proposed equivalent will meet the specifications and not be considered an exception thereto. Proposals which do not comply with these requirements are subject to rejection. Proposals lacking any written indication of intent to quote an alternate brand will be received and considered in complete compliance with the specifications as listed on the proposal form.

9. INTERPRETATIONS: Any questions concerning conditions and specifications shall be directed in writing to this office for receipt no later than ten (10) days prior to the proposal opening. Inquiries must reference the date of proposal opening and proposal number. Failure to comply with this condition will result in proposer waiving his right to dispute the proposal.

10. CONFLICT OF INTEREST: All proposal awards are subject to Section 2-973 Conflict of Interest, City of Naples Code of Ordinances, which states: *"No public officer or employee shall have or hold any employment or contractual relationship with any business entity or any agency which is subject to the regulation of or is doing business with the city; nor shall an officer or employee have or hold any employment or contractual relationship that will create a continuing or frequently recurring conflict between his private interests and the performance of his public duties or that would impede the full and faithful discharge of his public duties. Any member of the city council or any city officer or employee who willfully violates this section shall be guilty of malfeasance in office or position and shall forfeit his office or position. Violation of this section with the knowledge, express or implied, of the person or corporation contracting with or making a sale to the city shall render the contract or sale voidable by the city manager or the city council."*

11. AWARDS: As the best interest of the City may require, the right is reserved to make award(s) by individual item, group of items, all or none, or a combination thereof; to reject any and all proposals or waive any minor irregularity or technicality in proposals received.

12. ADDITIONAL QUANTITIES: For a period not exceeding ninety (90) days from the date of acceptance of this offer by the buyer, the right is reserved to acquire additional quantities up to but not exceeding those shown on proposal at the prices proposal in this invitation. If additional quantities are not acceptable, the proposal sheets must be noted "PROPOSAL IS FOR SPECIFIED QUANTITY ONLY." (THIS PARAGRAPH DOES NOT APPLY FOR A TERM CONTRACT.)

13. SERVICE AND WARRANTY: Unless otherwise specified, the proposer shall define any warranty service and replacements that will be provided during and subsequent to this contract. Proposers must explain on an attached sheet to what extent warranty and service facilities are provided.

14. SAMPLES: Samples of items, when called for, must be furnished free of expense, on or before proposal opening time and date, and if not destroyed may, upon request, be returned at the proposer's expense. Each individual sample must be labeled with proposer's name, manufacturer's brand name and number, proposal number and item reference. Request for return of samples shall be accompanied by instructions which include shipping authorization and name of carrier and must be received with your

proposal. If instructions are not received within this time, the commodities shall be disposed of by the City of Naples.

15. PROPOSAL PROTEST: The city has formal proposal protest procedures that are available on request.

16. INSPECTION, ACCEPTANCE AND TITLE: Inspection and acceptance will be at destination unless otherwise provided. Title and risk of loss or damage to all items shall be the responsibility of the contract supplier until accepted by the ordering agency, unless loss or damage results from negligence by the ordering

17. DISPUTES: In case of any doubt or difference of opinion as to the items to be furnished hereunder, the decision of the buyer shall be final and binding on both parties.

18. GOVERNMENTAL RESTRICTIONS: In the event any governmental restrictions may be imposed which would necessitate alteration of the material, quality, workmanship or performance of the items offered on this proposal prior to their delivery, it shall be the responsibility of the successful proposer to notify the buyer at once, indicating in his letter the specific regulation which required an alteration. The City reserves the right to accept any such alteration, including any price adjustments occasioned thereby, or to cancel the contract at no expense to the City.

19. LEGAL REQUIREMENTS: Applicable provision of all Federal, State, county and local laws, and of all ordinances, rules, and regulations shall govern development submittal and evaluation of all proposals received in response hereto and shall govern any and all claims and disputes which may arise between person(s) submitting a proposal response hereto and the City of Naples by and through its officers, employees and authorized representatives, or any other person, natural or otherwise; and lack of knowledge by any proposer shall not constitute a cognizable defense against the legal effect thereof.

20. PATENTS AND ROYALTIES: The proposer, without exception, shall indemnify and save harmless the City of Naples and its employees from liability of any nature or kind, including cost and expenses for or on account of any copyrighted, patented, or unpatented invention, process, or article manufactured or used in the performance of the contract, including its use by the City of Naples. If the proposer uses any design, device, or materials covered by letters, patent or copyright, it is mutually agreed and understood without exception that the proposal prices shall include all royalties or cost arising from the use of such design, device, or materials in any way involved in the work.

21. ADVERTISING: In submitting a proposal, proposer agrees not to use the results there from as a part of any commercial advertising.

22. ASSIGNMENT: Any Purchase Order issued pursuant to this proposal invitation and the monies which may become due hereunder are not assignable except with the prior written approval of the buyer.

23. LIABILITY: The supplier shall hold and save the City of Naples, its officers, agents, and employees harmless from liability of any kind in the performance of this contract.

24. PUBLIC ENTITY CRIMES: A person or affiliate who has been placed on the convicted vendor list following a conviction for a public entity crime may not submit a proposal on a contract to provide any goods or services to a public entity, may not submit a proposal on a contract with a public entity for the construction or repair of a public building or public work, may not submit proposals on leases of real property to a public entity, may not be awarded or perform work as a contractor, supplier, subcontractor, or consultant under a contract with any public entity, and may not transact business with any public entity in excess of the threshold amount provided in Section 287.017, for CATEGORY TWO for a period of 36 months from the date of being placed on the convicted vendor list.

25. DISCRIMINATION: An entity or affiliate who has been placed on the discriminatory vendor list may not submit a proposal on a contract to provide goods or services to a public entity, may not submit a

proposal on a contract with a public entity for the construction or repair of a public building or public work, may not submit proposals on leases of real property to a public entity, may not award or perform work as a contractor, supplier, subcontractor, or consultant under contract with any public entity, and may not transact business with any public entity.

26. COUNTY TAXES: No proposal shall be accepted from and no contract will be awarded to any person, firm or corporation that is in arrears to the government of Collier County, Florida.

27. OFFER EXTENDED TO OTHER GOVERNMENTAL ENTITIES: The City of Naples encourages and agrees to the successful proposer extending the pricing, terms and conditions of this solicitation or resultant contract to other governmental entities at the discretion of the successful proposer.

IF THIS PROPOSAL IS FOR A TERM CONTRACT, THE FOLLOWING CONDITIONS SHALL ALSO APPLY

28. ELIGIBLE USERS: All departments of the City of Naples are eligible to use this term contract. Such purchases shall be exempt from the competitive proposal requirements otherwise applying to their purchases.

29. PRICE ADJUSTMENTS: Any price decrease effectuated during the contract period by reason of market change shall be passed on to City of Naples. Price increases are not acceptable.

30. CANCELLATION: All contract obligations shall prevail for at least one hundred eighty (180) days after effective date of contract. After that period, for the protection of both parties, this contract may be cancelled in whole or in part by either party by giving thirty (30) days prior written notice to the other party.

31. RENEWAL: The City of Naples reserves the option to renew the period of this contract, or any portion thereof for up to two (2) additional periods. Renewal of the contract period shall be by mutual agreement in writing.

32. ABNORMAL QUANTITIES: While it is not anticipated, should any unusual or abnormal requirements arise, the City reserves the right to solicit separate proposals thereon.

33. FISCAL NON-FUNDING CLAUSE: In the event sufficient funds are not budgeted for a new fiscal period, the City shall notify the contractor of such occurrence and the contract shall terminate on the last day of the current fiscal year without penalty or expense to the City.

IF THIS PROPOSAL IS FOR PERFORMING A SERVICE, THE FOLLOWING CONDITIONS SHALL ALSO APPLY

34. ALTERNATIVE PROPOSALS: Proposers offering service delivery methods other than those permitted by the scope of work may submit a separate envelope clearly marked "ALTERNATIVE PROPOSAL". Alternative proposals will be deemed non-responsive and will not be considered for award. All such responses will, however, be examined prior to award. Such examination may result in cancellation of all proposals received to permit rewriting the scope of work to include the alternative method, or the alternative method may be considered for future requirements of the City of Naples.

35. ANTITRUST: By entering into a contract, the contractor conveys, sells, assigns and transfers to the City of Naples all rights, titles and interest it may now have or hereafter acquire under the antitrust laws of the United States and the State of Florida that relate to the particular goods or services purchased or acquired by the City of Naples under said contract.

36. PROPOSER INVESTIGATIONS: Before submitting a proposal, each proposer shall make all investigations and examinations necessary to ascertain all site conditions and requirements affecting the full performance of the contract and to verify any representations made by the City of Naples upon which the proposer will rely. If the proposer receives an award as a result of its proposal submission, failure to have made such investigations and examinations will in no way relieve the proposer from its obligation to comply in every detail with all provisions and requirements of the contract documents, nor will a plea of ignorance of such conditions and requirements be accepted as a basis for any claim whatsoever by the contractor for additional compensation.

37. CERTIFICATES AND LICENSES: The Contractor, at time of proposal, shall possess the correct occupational licenses, all professional licenses or other authorizations necessary to carry out and perform the work required by the City of Naples and Collier County for this project pursuant to all applicable Federal, State and Local Laws, Statutes, Ordinances, and rules and regulations of any kind.

38. CHANGE IN SCOPE OF WORK: The City of Naples may order changes in the work consisting of additions, deletions or other revisions within the general scope of the contract. No claims may be made by the contractor that the scope of the project or of the contractor's services has been changed, requiring changes to the amount of compensation to the contractor or other adjustments to the contract unless such changes or adjustments have been made by written amendment to the contract signed by the City of Naples and the contractor. If the contractor believes that any particular work is not within the scope of the project, is a material change, or will otherwise require more compensation to the contractor, the contractor must immediately notify the City in writing of this belief. If the City believes that the particular work is within the scope of the contract as written, the contractor will be ordered to and shall continue with the work as changed and at the cost stated for the work within the scope.

39. CONTRACTOR PERSONNEL: The City of Naples shall, throughout the life of the contract, have the right of reasonable rejection and approval of staff or subcontractors assigned to the work by the contractor. If the City reasonably rejects staff or subcontractors, the contractor must provide replacement staff or subcontractors satisfactory to the City in a timely manner and at no additional cost to the City. The day-to-day supervision and control of the contractor's employees and sub-contractors is the responsibility solely of the contractor.

40. COST REIMBURSEMENT: The contractor agrees that all incidental costs, including allowances for profit and tools of the trade, must be included in the proposal proposal rates. If an arrangement is made between the contractor and the City to reimburse the contractor for the cost of materials provided in the performance of the work, the contractor shall be reimbursed in the following manner: The City shall reimburse the contractor on completion and acceptance of each assigned job, only for those materials actually used in the performance of the work that is supported by invoices issued by the suppliers of the contractor describing the quantity and cost of the materials purchased. No surcharge shall be added to the supplier's invoices or included in the contractor's invoice submitted to the City that would increase the dollar amount indicated on the supplier's invoice for the materials purchased for the assigned job.

41. EXCEPTIONS: Proposers taking exception to any part or section of the solicitation shall indicate such exceptions on the proposal form. Failure to indicate any exception will be interpreted as the proposer's intent to comply fully with the requirements as written. Conditional or qualified proposals, unless specifically allowed, shall be subject to rejection in whole or in part.

42. FAILURE TO DELIVER: In the event of the contractor to fail to deliver services in accordance with the contract terms and conditions, the City, after due oral or written notice, may procure the services from other sources and hold the contractor responsible for any resulting purchase and administrative costs. This remedy shall be in addition to any other remedies that the City may have.

43. FAILURE TO ENFORCE: Failure by the City at any time to enforce the provisions of the contract shall not be construed as a waiver of any such provisions. Such failure to enforce shall not affect the validity of the contract or any part thereof or the right of the City to enforce any provision at any time in accordance with its terms.

44. FORCE MAJEURE: The contractor shall not be held responsible for failure to perform the duties and responsibilities imposed by the contract due to legal strikes, fires, riots, rebellions and acts of God beyond the control of the contractor, unless otherwise specified in the contract.

45. INDEPENDENT CONTRACTOR: The contractor shall be legally considered an independent contractor and neither the contractor nor its employees shall, under any circumstances, be considered servants or agents of the City of Naples and the City of Naples shall be at no time legally responsible for any negligence or any wrongdoing by the contractor, its servants or agents. The City of Naples shall not withhold from the contract payments to the contractor any federal income taxes, Social Security tax, or any other amounts for benefits to the contractor. Further, the City shall not provide to the contractor any insurance coverage or other benefits, including Workers' Compensation normally provided by the City for its employees.

46. ORAL STATEMENTS: No oral statement of any person shall modify or otherwise affect the terms, conditions or specifications stated in this contract. All modifications to the contract must be made in writing by the City of Naples.

47. QUALIFICATIONS OF PROPOSERS: The proposer may be required, before the award of any contract, to show to the complete satisfaction of the City of Naples that it has the necessary facilities, ability, and financial resources to provide the service specified therein in a satisfactory manner. The proposer may also be required to give a past history and references in order to satisfy the City in regard to the proposer's qualifications. The City may make reasonable investigations deemed necessary and proper to determine the ability of the proposer to perform the work, and the proposer shall furnish to the City all information for this purpose that may be requested. The City reserves the right to reject any proposal if the evidence submitted by, or investigation of, the proposer fails to satisfy the City that the proposer is properly qualified to carry out the obligations of the contract and to complete the work described therein. Evaluation of the proposer's qualifications shall include:

- > The ability, capacity, skill and financial resources to perform the work or service.
- > The ability to perform the work service promptly or within the time specified, without delay.
- > The character, integrity, reputation, judgment, experience, and efficiency of the proposer.
- > The quality of performance of previous contracts or services.

48. QUALITY CONTROL: The contractor shall institute and maintain throughout the contract period a properly documented quality control program designed to ensure that the services are provided at all times and in all respects in accordance with the contract. The program shall include providing daily supervision and conducting frequent inspections of the contractor's staff and ensuring that accurate records are maintained describing the disposition of all complaints. The records so created shall be open to inspection by the City.

49. RECOVERY OF MONEY: Whenever, under the contract, any sum of money shall be recoverable from or payable by the contractor to the City, the same amount may be deducted from any sum due to the contractor under the contract or under any other contract between the contractor and the City. The rights of the City are in addition and without prejudice to any other right the City may have to claim the amount of any loss or damage suffered by the City on account of the acts or omissions of the contractor.

50. REQUIREMENTS CONTRACT: During the period of the contract, the contractor shall provide all the services described in the contract. The contractor understands and agrees that this is a requirements contract and that the City shall have no obligation to the contractor if no services are required. Any quantities that are included in the scope of work reflect the current expectations of the City for the period of the contract. The amount is only an estimate and the contractor understands and agrees that the City is under no obligation to the contractor to buy any amount of services as a result of having provided this estimate or of having any typical or measurable requirement in the past. The contractor further understands and agrees that the City may require services in excess of the estimated annual contract amount and that the quantity actually used whether in excess of, or less than, the estimated annual contract amount and that the quantity actually used

shall not give rise to any claim for compensation other than the total of the unit prices in the contract for the quantity actually used.

51. TERMINATION FOR CONVENIENCE: The performance of work under the contract may be terminated by the City in whole or in part whenever the City determines that termination is in the City's best interest. Any such termination shall be effected by the delivery to the contractor of a written notice of termination of at least seven (7) days before the date of termination, specifying the extent to which performance of the work under the contract is terminated and the date upon which such termination becomes effective. After receipt of a notice of termination, except as otherwise directed, the contractor shall stop work on the date of the receipt of the notice or other date specified in the notice; place no further orders or subcontracts for materials, services or facilities except as necessary for completion of such portion of the work not terminated; terminate all vendors and subcontracts; and settle all outstanding liabilities and claims.

52. TERMINATION FOR DEFAULT: The City of Naples reserves the right to terminate the contract if the City determines that the contractor has failed to perform satisfactorily the work required, as determined by the City. In the event the City decides to terminate the contract for failure to perform satisfactorily, the City shall give to the contractor at least seven (7) days written notice before the termination takes effect. The seven-day period will begin upon the mailing of notice by the City. If the contractor fails to cure the default within the seven (7) days specified in the notice and the contract is terminated for failure to perform satisfactorily, the contractor shall be entitled to receive compensation for all reasonable, allocable and allowable contract services satisfactorily performed by the contractor up to the date of termination that were accepted by the City prior to the termination. In the event the City terminates the contract because of the default of the contractor, the contractor shall be liable for all excess costs that the City is required to expend to complete the work under contract.

53. STATE AND FEDERAL EMPLOYMENT LAWS: Contractors providing service to the City are required to comply with all state and federal employment laws. This includes, but is not limited to, laws resulting from the Immigration and Reform and Control Act of 1986, wherein all employers are required to verify the identity and employment eligibility of all employees. The Department of Homeland Security, U.S. Citizenship and Immigration Services require employees and employers to complete Form I-9 and the employer must examine evidence of identity and employment eligibility within three business days of the date employment begins. Non compliant contractors will be subject to contract sanctions, up to and including contract termination.

54. CERTIFICATION REGARDING DEBARMENT, SUSPENSION, INELIGIBILITY, AND VOLUNTARY EXCLUSION: The contractor agrees to comply with Executive Order 12549 "Debarment and Suspension" and 2 CFR 180 "OMB Guidelines to Agencies on Government wide Debarment and Suspension." These rules require all contractors using federal funds not be debarred or suspended from doing business with the Federal Government. This includes sub-recipients and lower tier participant for covered transactions. Signing and submitting this document certified the organization and its principals are not presently debarred, suspended, proposed for debarment, declared ineligible, or voluntarily excluded from participation in this transaction by any federal department or agency, and further have not within the preceding three-year period been convicted of or had a civil judgment rendered against them for commission of fraud or a criminal offense in connection with obtaining, attempting to obtain, or performing a public (Federal, State or local) transaction.

THE CITY OF NAPLES IS AN EQUAL OPPORTUNITY EMPLOYER

GENERAL INSURANCE REQUIREMENTS

The Contractor shall not commence work until he has obtained all the insurance required under this heading, and until such insurance has been approved by the Owner, nor shall the Contractor allow any subcontractor to commence work until all similar insurance required of the subcontractor has also been obtained and approved by the Owner.

Certificates of insurance must be issued by an authorized representative of the insurance company at the request and direction of the policyholder and must include sufficient information so as to identify the coverage and the contract for Owner's improvements for which they are issued. Certificates of insurance must be issued by a nationally recognized insurance company with a Best's Rating of no less than B+VII, satisfactory to the Owner, and duly licensed to do business in the state of said Contract.

The Contractor shall procure and maintain, during the life of this Contract, Workmen's Compensation Insurance for all of his employees to be engaged in work under this Contract, and he shall require any subcontractor similarly to provide Workmen's Compensation Insurance for all of the latter's employees to be engaged in such work, unless such employees are covered by the protection afforded by the Contractor's insurance. In case any employees are to be engaged in hazardous work under this Contract, and are not protected under this Workmen's Compensation statute, the Contractor shall provide, and shall cause each subcontractor to provide, adequate coverage for the protection of such employees. It is acceptable to use a State-approved Workmen's Compensation Self-Insurance fund.

The Contractor shall take out and maintain during the life of this Contract, Public Liability and Property Damage and shall include Contractual Liability, Personal Injury, Libel, Slander, False Arrest, Malicious Prosecution, Wrongful Entry or Eviction, Broad Form Property Damage, Products, Completed Operations and XCU Coverage to be included on an occurrence basis, and to the full extent of the Contract to protect him, the Owner, and any subcontractor performing work covered by this Contract from damages for personal injury, including accidental death, as well as from claims for property damage, which may arise from operations under this contract, whether such operations be by himself or by a subcontractor, or by anyone directly or indirectly employed by either of them. The Contractor shall also maintain automobile liability insurance including "non-owned and hired" coverage. The entire cost of this insurance shall be borne by the Contractor.

The amount of such insurance shall be no less than \$1,000,000 annual aggregate for bodily injury and property damage combined per occurrence.

The City of Naples must be named as Additional Insured on the insurance certificate and the following must also be stated on the certificate. "These coverage's are primary to all other coverage's the City possesses for this contract only." The City of Naples shall be named as the Certificate Holder. The Certificate Holder shall read as follows:

The City of Naples
735 Eighth Street South
Naples, Florida 34102

No City Division, Department, or individual name should appear on the Certificate.
No other format will be acceptable.

The Certificate must state the bid number and title.

When using the ACORD 25 – Certificate of Insurance only the most current version will be accepted.

The City of Naples requires a copy of a cancellation notice in the event the policy is cancelled. The City of Naples shall be expressly endorsed onto the policy as a cancellation notice recipient.

STATEMENT OF NO PROPOSAL

If you will not be bidding on this product/service, please help us by completing and returning only this page to:

City of Naples, Purchasing Division
City Hall, 735 8th Street South
Naples, FL 34102
Fax 239-213-7105

Proposal # _____ and Description: _____

We, the undersigned, decline to proposal on the above project for the following reason(s):

- ___ We are not able to respond to the Invitation to Proposal or Request for Proposals by the specified deadline.
- ___ Our Company does not offer this product or service.
- ___ Our current work schedule will not permit us to perform the required services.
- ___ Specifications are incomplete or information is unclear (Please explain below).

___ Other (Please specify below)

Company Name _____ PH _____

Name and Title of individual completing this form:

(Printed Name) (Title)

(Signature) (Date)

REFERENCES

THIS SHEET MUST BE COMPLETED AND RETURNED WITH PROPOSAL

PROVIDE AT LEAST THREE REFERENCES FOR WHOM YOUR COMPANY HAS PROVIDED SAME OR SIMILAR SERVICES WITHIN THE LAST 2 YEARS.

COMPANY NAME: _____

ADDRESS: _____

TELEPHONE: _____

CONTACT PERSON: _____

CONTACT E-MAIL ADDRESS: _____

COMPANY NAME: _____

ADDRESS: _____

TELEPHONE: _____

CONTACT PERSON: _____

CONTACT E-MAIL ADDRESS: _____

COMPANY NAME: _____

ADDRESS: _____

TELEPHONE: _____

CONTACT PERSON: _____

CONTACT E-MAIL ADDRESS: _____

SPECIAL CONDITIONS

A. TERMS OF CONTRACT

The resulting contract will commence on award and be in effect until completion of the project. The City hopes to award a contract by September.

B. PROHIBITION OF CONTACT

Under no circumstances should any prospective organization or individual, or anyone acting for or on behalf of a prospective organization or individual, seek to influence or gain the support of any member of the City Council, public official or City staff favorable to the interest of any prospective organization or individual. Likewise, contact with City Council, any public official or city staff against the interests of other prospective organization (s) and or individual(s) is prohibited. Any such activities will result in the exclusion of the prospective organization or individual from consideration by the City.

C. QUESTIONS

Questions regarding this proposer packet must be received in writing in the Purchasing Division, **NO LATER THAN TEN CALENDAR DAYS PRIOR TO THE PROPOSAL CLOSING DATE TO ENSURE AN ANSWER IS PROVIDED PRIOR TO CLOSING.**

Direct all questions to:

[John Dunnuck, Purchasing Manager](#)

City of Naples, Purchasing Division

735 8th Street South

Naples, Florida 34102

PH: (239) 213-7100 FX: (239) 213-7105

jdunnuck@naplesgov.com

048-12 CITY OF NAPLES PARKING GARAGE IMPROVEMENTS

OVERVIEW: The City of Naples 5th Avenue District is world renown for its shopping and dining experience. As the popularity has grown, so too has the demand for the two public parking garages. As a result, there are occasions where the garages reach capacity. While both garages offer an electronic traffic counting system controlled by inductive loop magnetic sensors, the notification process does not work accurately. On several occasions, the garage is full but the sign does not indicate as such, or vice versa, the garage sign indicates “Full” when the garage is not at capacity.

In studying the issue, it is believed that the problem is caused by patrons exiting the entrance lane, thus creating false counts. The City attempted to resolve the issue by installing breakaway pilings to encourage patrons to utilize the correct lanes; however, an issue persists.

PARKING GARAGES: The parking garages are located at 400 8th Street South and 6th Avenue South. (See EXHIBIT A for a map). Both garages are 4 levels and offer over 300 parking spaces. Each garage has (2) ingress / egress locations, and are open free to the public. The City may consider allocating spaces to local businesses in the future, but no policy or plan exists today. Attached are pictures of the four entrances / exits (EXHIBIT B) to provide a frame of reference. Additionally, the electrical As-Built drawings are available as part of EXHIBIT C.

SCOPE OF SERVICE: The City is seeking proposals to accurately alert the public when the garage is full or reaching capacity at the four entrances. The proposals should include solutions that recognize the ingress / egress constraints, aesthetics, the existing traffic counting system, and price. The City recognizes the solution may be as simple as installing control arms, but there may be cost effective alternatives. In any case, the response should explain how and why the solution will work as well as where it is presently working.

BUDGET: The City has budgeted \$50,000 for this project, but price is not the sole factor.

EVALUATION CRITERIA: The Selection Committee will be comprised of three (3) members appointed by the City Manager. The evaluation proposals will be made on a pre-determined basis as follows:

	<u>Maximum Points</u>
Approach to this project	35
Price	40
Experience	15
References	10

- a. Approach to the Project: Provide proposed scope of work, product and warranty information. Include estimated time to complete improvements from award of contract.

Prepare a thorough explanation of how and why the proposal will achieve the goals of the project.

- b. Price: Provide a detailed cost to successfully implement the proposal. Include all costs including permitting, etc.
- c. Experience: Provide locations and contact information of where the solution has been successfully implemented in other locations.
- d. References: Proposer shall include a minimum of three (3) references, preference for similar projects. (See reference form).

SUBMITTAL: Please provide one original and five (5) copies for review.

EXHIBIT A

Location of City Garages

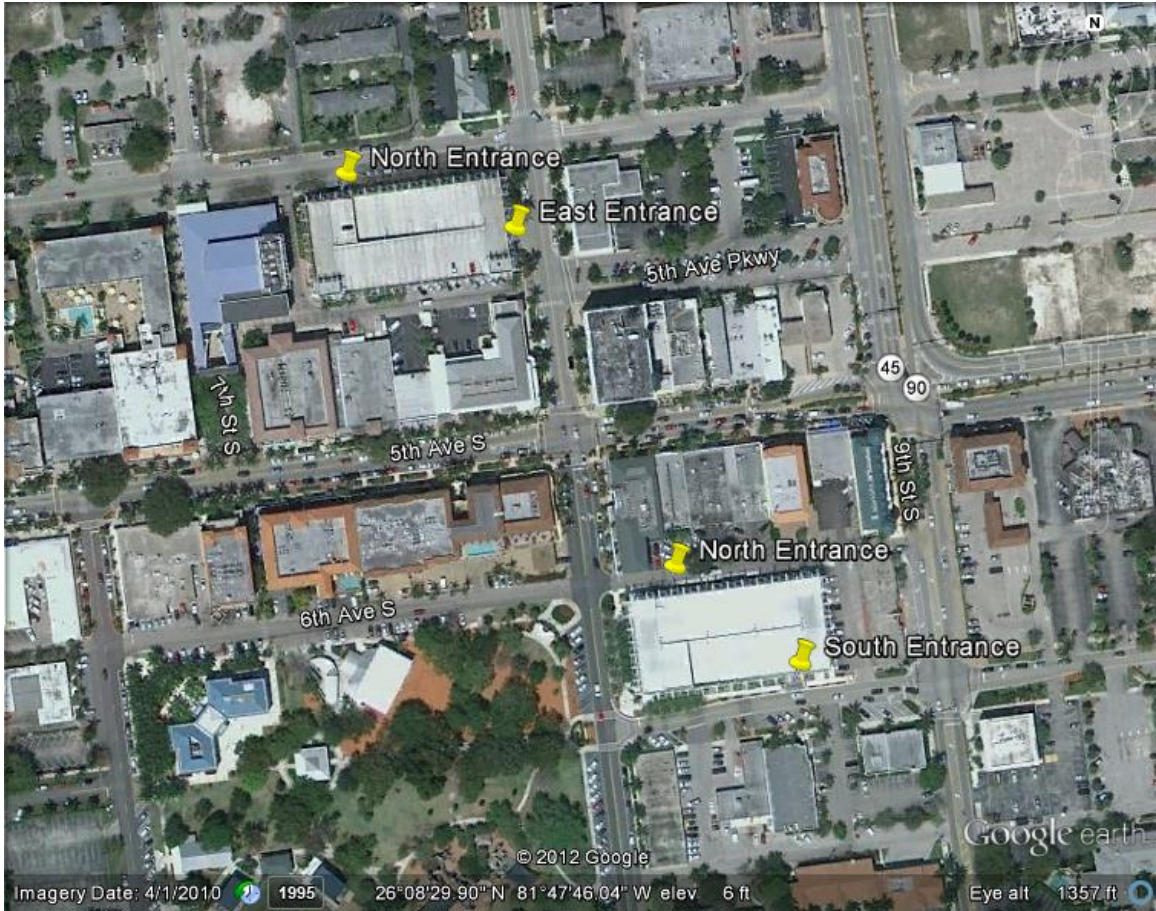


EXHIBIT B

South Parking Garage

6th Avenue South Entrance



Entrance off Ally (north)



North Parking Garage

8th Street South Entrance (East)



4th Avenue South Entrance (North)



PHOENIX OF PIT LIGHT

LUMINAIRE SCHEDULE					
TYPE	DESCRIPTION	MANUFACTURER AND CATALOG NUMBER	VOLTAGE	LAMPS	REMARKS
A	SURFACE MOUNTED LED PARKING GARAGE FIXTURE	BETA BLD-PKG-TS-DM-042-LED-A-UL-B2-3BAR	120	LED WITH FIXTURE	
B	WALL MOUNTED COMPACT FLUORESCENT LIGHTING FIXTURE, WITH ONE PIECE EYE LID. PROVIDE WITH BLACK POWDER COAT OR BAKED ENAMEL FINISH.	LUMINAIRE YRV13-1PLT32-120-OP-BLK	120	32W TT	MOUNTED 7'-0" A.F.F.
D	FLUORESCENT WALL MOUNTED LIGHTING FIXTURE WITH CAST ALUMINUM HOUSING, CLEAR LENS OR TEMPERED GLASS GLOBE AND CAST ALUMINUM GUARD.	PHOENIX VP-W-42CF-UNIV-GCL-G	120	100W A19	MOUNTED 7'-0" A.F.F. UNLESS OTHERWISE NOTED
E	DIE CAST ALUMINUM EXIT SIGN WITH INTEGRAL BATTERY AND LED ILLUMINATION GUARD	BEGHELLI LC1-SA-LG-1/2-W-W	120	LED WITH FIXTURE	
E1	CEILING MOUNTED TOTALLY ENCLOSED TWIN LAMP EMERGENCY BATTERY UNIT, LAMP ENCLOSED WITH A FLAME RATED - UV STABLE - ABS THERMOPLASTIC HOUSING.	CHLORIDE 12MF-50-W-J1812-2-DL	120	INTEGRAL TO FIXTURE	
G	TWIN POLE MOUNTED FULL CUT-OFF LED LIGHTING FIXTURE. POLE NOT PROVIDED WITH THIS FIXTURE. SEE REMARKS WITH ONE PIECE DIE FORMED ALUMINUM HOUSING AND BLACK POWDER COAT FINISH.	BETA (2)BLD-ARE-TS-DA-168-LED-A-UL-BZ	120	LED WITH FIXTURE	FIXTURES MOUNTED ON ARCHITECTURALLY DETAILED POLE MAST, REFER TO ARCHITECTURAL DRAWINGS FOR DETAILS. PROVIDE MOUNTING ARM AS REQUIRED TO ACCOMMODATE SAID DETAIL. TWO (2) FIXTURES REQUIRED AT EACH POLE.
H	POLE LIGHT	FOR MANUFACTURER AND CATALOG NUMBER REFER TO LANDSCAPE DRAWINGS	120	150W MH	REFER TO LANDSCAPE DRAWING FOR MOUNTING REQUIREMENTS
J	ROUND BOLLARD	FOR MANUFACTURER AND CATALOG NUMBER REFER TO LANDSCAPE DRAWINGS	120	35W MH	REFER TO LANDSCAPE DRAWING FOR MOUNTING REQUIREMENTS
K	TREE GRATE LIGHT	FOR MANUFACTURER AND CATALOG NUMBER REFER TO LANDSCAPE DRAWINGS	120	35W MH	REFER TO LANDSCAPE DRAWING FOR MOUNTING REQUIREMENTS
L	STEP LIGHT	FOR MANUFACTURER AND CATALOG NUMBER REFER TO LANDSCAPE DRAWINGS	120	18W PL	REFER TO LANDSCAPE DRAWING FOR MOUNTING REQUIREMENTS
M	STRIP LIGHT	FOR MANUFACTURER AND CATALOG NUMBER REFER TO LANDSCAPE DRAWINGS	120	LED	REFER TO LANDSCAPE DRAWING FOR MOUNTING REQUIREMENTS
N	BENCH LIGHT	FOR MANUFACTURER AND CATALOG NUMBER REFER TO LANDSCAPE DRAWINGS	120	18W PL	REFER TO LANDSCAPE DRAWING FOR MOUNTING REQUIREMENTS
P	ROPE LIGHT	FOR MANUFACTURER AND CATALOG NUMBER REFER TO LANDSCAPE DRAWINGS	120	LED	REFER TO LANDSCAPE DRAWING FOR MOUNTING REQUIREMENTS
Q	EXTERIOR TRELIS MOUNTED HID INDIRECT LIGHTING FIXTURE WITH REFLECTOR SHIELD.	HESS AMERICA LX200-150M-2-X-CC-SF BEGA EQUAL	120	150 MH	

GENERAL NOTES:

- LIGHT SWITCHES SHALL BE MOUNTED 48 INCHES ABOVE FINISHED FLOOR TO CENTER LINE OF DEVICE, UNLESS OTHERWISE NOTED.
- RECEPTACLES SHALL BE LOCATED 18 INCHES ABOVE FINISHED FLOOR TO CENTER LINE OF DEVICE, UNLESS OTHERWISE NOTED. ABOVE-COUNTER RECEPTACLES SHALL BE MOUNTED 6" ABOVE BACK SPLASH TO CENTERLINE OF DEVICE.
- EQUIPMENT SHALL BE OF MATERIALS SUITABLE FOR AND RATED FOR THE ENVIRONMENT IN WHICH THEY ARE TO BE INSTALLED.
- A. WORKING CLEARANCES FOR ELECTRICAL EQUIPMENT SHALL BE IN COMPLIANCE WITH NEC 110.
B. THE EXCLUSIVELY-DEDICATED SPACE EXTENDING FROM FLOOR TO STRUCTURAL CEILING WITH A WIDTH AND DEPTH OF THE PANELBOARD OR SWITCHBOARD MUST BE CLEAR OF ALL PIPING, DUCTS OR EQUIPMENT FOREIGN TO THE ELECTRICAL EQUIPMENT OR ARCHITECTURAL APPURTENANCES IN ACCORDANCE WITH NEC 408.
- WHEN ELECTRICAL BOXES ARE LOCATED IN VERTICAL FIRE-RESISTIVE ASSEMBLIES, (CLASSIFIED AS FIRE/SMOKE AND SMOKE PARTITIONS), THEY SHALL BE INSTALLED WITHOUT AFFECTING THE FIRE CLASSIFICATION. ALL OF THE FOLLOWING CONDITIONS SHALL BE MET:
 - ALL ELECTRICAL BOXES SHALL BE METALLIC.
 - BOX OPENING SHALL OCCUR ONLY ON ONE SIDE OF FRAMING SPACE.
 - BOX OPENING SHALL NOT EXCEED 16 SQUARE INCHES.
 - ALL CLEARANCES BETWEEN OUTLET BOX AND GYPSUM BOARD SHALL BE COMPLETELY FILLED WITH JOINT COMPOUND (OR OTHER APPROVED MATERIAL).
 - PROVIDE A WALL AROUND OUTLETS LARGER THAN 16 SQUARE INCHES. THE INTEGRITY OF THE WALL RATING SHALL BE MAINTAINED.
 - THE TOTAL AGGREGATE SURFACE AREA OF THE BOXES SHALL NOT EXCEED 100 SQUARE INCHES PER 100 SQUARE FEET.
 - OUTLET BOXES LOCATED ON OPPOSITE SIDES OF FIRE-RESISTIVE ASSEMBLIES SHALL BE SEPARATED BY A MINIMUM HORIZONTAL DISTANCE OF 24 INCHES.
 - OUTLET BOXES SHALL BE SECURELY FASTENED TO WALL FRAMING MEMBERS.
 - THE OPENING IN THE GYPSUM BOARD FACING SHALL BE CUT NOT TO EXCEED 1/8 INCH BETWEEN THE EDGES OF THE OUTLET BOX AND THE EDGES OF THE OPENING.
- ALL DEVICES SHALL BE MOUNTED VERTICAL, UNLESS OTHERWISE NOTED.
- ALL RECEPTACLES SHALL BE MOUNTED SUCH THAT THE GROUND PIN IS MOUNTED DOWN.
- FIRE ALARM SYSTEM BATTERY CALCULATIONS SHALL BE SUBMITTED WITH SYSTEM SHOP DRAWINGS.

GENERAL LIGHTING NOTES

- ALL FLUORESCENT LUMINAIRES SHALL USE TB LAMPS AND ELECTRONIC BALLASTS, UNLESS OTHERWISE NOTED.
- ALL COMPACT FLUORESCENT DOWN LIGHTS SHALL USE ELECTRONIC BALLASTS, UNLESS OTHERWISE NOTED.
- REFER TO ARCHITECTURAL REFLECTED CEILING PLAN FOR EXACT LOCATION OF LUMINAIRES.
- ALL LUMINAIRES SHALL BE FUSED.
- EMERGENCY BALLASTS SHALL HAVE A MINIMUM OF 1100 LUMEN OUTPUT.
- ALL ACRYLIC LENSED LUMINAIRES SHALL HAVE A LENS THICKNESS OF .125 INCHES MINIMUM.

COMPLIANCE STATEMENT

THESE PLANS HAVE BEEN PREPARED IN COMPLIANCE WITH THE 2004 BUILDING CODE WITH 2006 AMENDMENTS AND WITH THE 2005 NATIONAL ELECTRIC CODE.

ELECTRICAL DRAWING INDEX

SHEET	DESCRIPTION
E001	ELECTRICAL LEGEND, NOTES AND SCHEDULES
E002	ELECTRICAL SITE PLAN
E101	GROUND LEVEL ELECTRICAL PLAN
E102	SECOND LEVEL ELECTRICAL PLAN
E103	THIRD LEVEL ELECTRICAL PLAN
E104	TOP LEVEL ELECTRICAL PLAN
E105	ENLARGED ELECTRICAL PLANS
E106	ELECTRICAL DISTRIBUTION DIAGRAM AND SCHEDULES

ELECTRICAL SYMBOL LEGEND

- S SINGLE POLE SWITCH
- FLUORESCENT CEILING MOUNTED (SURFACE OR RECESSED) FIXTURE.
- LED CEILING MOUNTED PARKING AREA LIGHTING FIXTURE
- POLE MOUNTED TWIN LED AREA LIGHTING FIXTURE
- INCANDESCENT OR FLUORESCENT WALL MOUNTED FIXTURE.
- EXIT LIGHT FIXTURE (SHADED QUADRANT INDICATES FACE(S) OF FIXTURE)
- DUPLEX RECEPTACLE
- DUPLEX (G.F.I.) RECEPTACLE
- PHOTOCELL, MOUNTED ON ROOF FACING NORTH CONDUIT SHALL INCLUDE PHASE, NEUTRAL AND GROUND CONDUCTORS
- JUNCTION BOX
- BRANCH CIRCUIT CONDUIT CONCEALED ABOVE CEILING OR IN WALL AS REQUIRED FOR CIRCUITS (UNLESS OTHERWISE NOTED).
- BRANCH CIRCUIT CONDUIT CONCEALED, 3/4" C., 2 #10 & 1 #10 GND.
- BRANCH CONDUIT CONDUIT CONCEALED, SIZE AS INDICATED.
- GROUND OR GROUND ROD AS NOTED
- CONDUIT TURNING UP
- CONDUIT TURNING DOWN
- COMBINATION AUDIBLE/VISUAL SIGNALING UNIT - HORN/FLASHING "FIRE" LIGHT
- VISUAL SIGNALING UNIT (STROBED)
- MANUAL PULL STATION
- HEAT DETECTOR, MOUNTING AS INDICATED
- SPRINKLER TAMPER SWITCH
- SPRINKLER WATER FLOW SWITCH
- WP WEATHERPROOF
- A.F.F. ABOVE FINISH FLOOR

ACOB
 Andrea Clark Brown + David Poorman Architects PA
+DPA

340 8th Street South Naples Florida 34102
 239-263-3888 239-263-6025 AA2302

MILESTONES

ORIGIN	DATE
D.D. 100%	
C.D. 100%	
BID	
PERMIT	
CONSTRUCTION	
REV CONST.	

REVISIONS

NO.	DESC.	DATE
1	CODE REVIEW	6-25-08

© Copyright 2007
 Andrea Clark Brown + David Poorman Architects PA

These drawings and the contents herein are the sole property of Andrea Clark Brown + David Poorman Architects PA and no portion of any may be printed or copied without the express permission of this design office.

NAPLES PUBLIC PARKING FACILITY

6th Ave. So. & 8th St.
 Naples Florida
 34102

ELECTRICAL SCHEDULES AND NOTES

SCALE: NONE
 DRAWN BY: FED
 PLOT DATE:
 ISSUED: PERMIT-BID SET 1/30/08

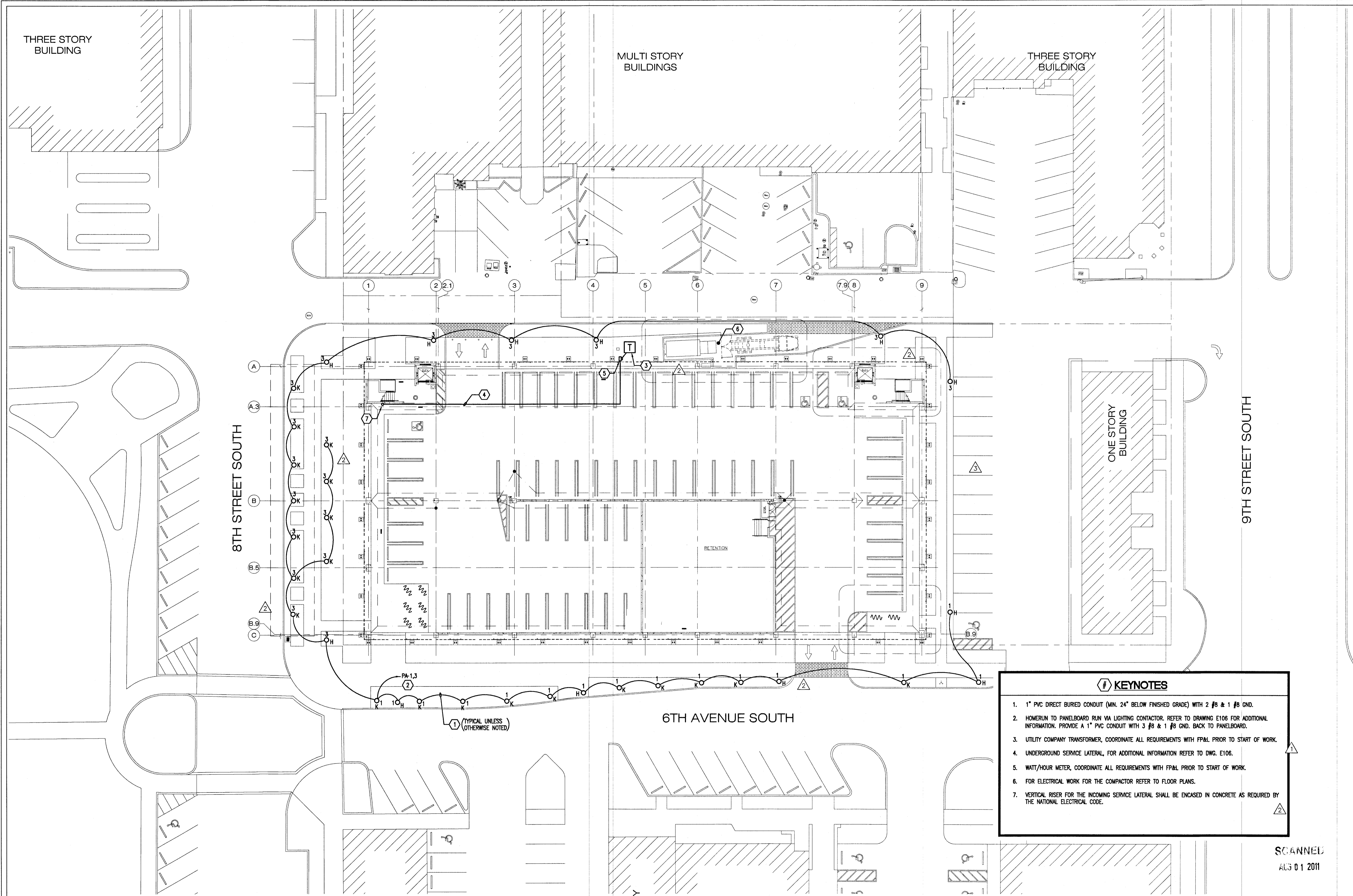


E001

CONSTRUCTION AND PERMIT SET
 4-3-08

TLC
 1400 Colonial Boulevard Suite 203
 Fort Myers, Florida 33907
 Phone: 239-275-4240
 Fax: 239-275-3511
 www.tlc-engineers.com
 © Copyright 2007 TLC Engineering for Architecture, Inc.
 EB #0000015 TLC NO: 407105

Brett L. Sands, P.E.
 Florida License #48477
 10/21/08



ACB
Andrea Clark Brown + David Poorman Architects PA

+DPA

340 8th Street South Naples Florida 34102
t 239-263-3898 f 239-263-6025 AA2302

MILESTONES	
ORIGIN	
D.D. 100%	
C.D. 100%	
BID	
PERMIT	
CONSTRUCTION	
REV CONST.	

REVISIONS		
NO.	DESC.	DATE
△	ADDENDUM 1	2-6-08
△	ADDENDUM 2	2-15-08
△	OWNER CHANGES	4-3-08

© Copyright 2007
Andrea Clark Brown + David Poorman
Architects PA

These drawings and the contents herein are the sole property of Andrea Clark Brown + David Poorman Architects PA and no portion of any may be printed or copied without the express permission of this design office.

NAPLES PUBLIC PARKING FACILITY
6th Ave. So. & 8th St.
Naples Florida
3 4 1 0 2

SITE PLAN ELECTRICAL

SCALE: 1" = 20'-0"
DRAWN BY: PED
PLOT DATE:
ISSUED: PERMIT-BID SET 1/20/08



E002

CONSTRUCTION AND PERMIT SET
4-3-08

SITE PLAN - ELECTRICAL
SCALE: 1"=20'-0"

TLC 1400 Colonial Boulevard
Suite 203
Fort Myers, Florida 33907
Phone: 239-275-4240
Fax: 239-275-3511
www.tlc-engineers.com
© Copyright 2007 TLC Engineering for Architecture, Inc.
EB #0000015 TLC NO: 407105

Brett L. Sands, P.E.
Florida License #48477

[Signature]
6/21/08

SCANNED
AUG 01 2011

\\tfc41\work\2007-jobs\407105-Naples Parking Garage\CAD-MEP\Sheets E002.dwg 9/25/2008 11:40:07 AM winford.marshall

MILESTONES	
ORIGIN	
D.D. 100%	
C.D. 100%	
BID	
PERMIT	
CONSTRUCTION	
REV CONST.	

REVISIONS		
NO.	DESC.	DATE
△	ADDENDUM 1	2-6-08
△	ADDENDUM 2	2-15-08
3	OWNER CHANGES	4-3-08
△	GEN. REV.	5-15-08

© Copyright 2007
Andrea Clark Brown + David Poorman
Architects PA
These drawings and the contents
herein are the sole property of
Andrea Clark Brown + David Poorman
Architects PA
and no portion of any may be printed
or copied without the express
permission of this design office.

**NAPLES PUBLIC
PARKING
FACILITY**
6th Ave. So. & 8th St.
Naples Florida
3 4 1 0 2

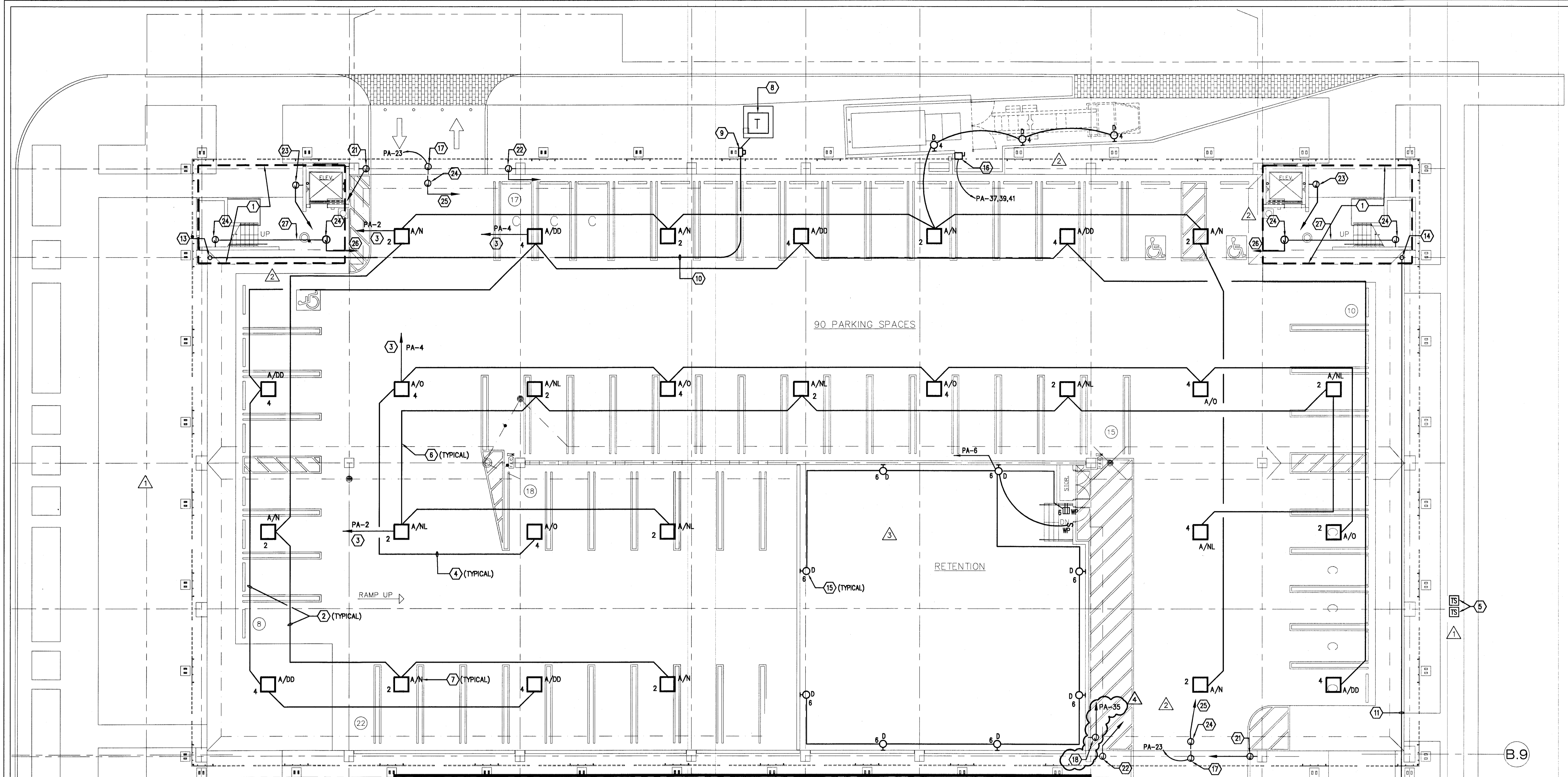
**LOWER
LEVEL
ELECTRICAL**

SCALE: 3/32" = 1'-0"
DRAWN BY: FED
PLOT DATE:
ISSUED: PERMIT-BID SET 1/30/08



E101

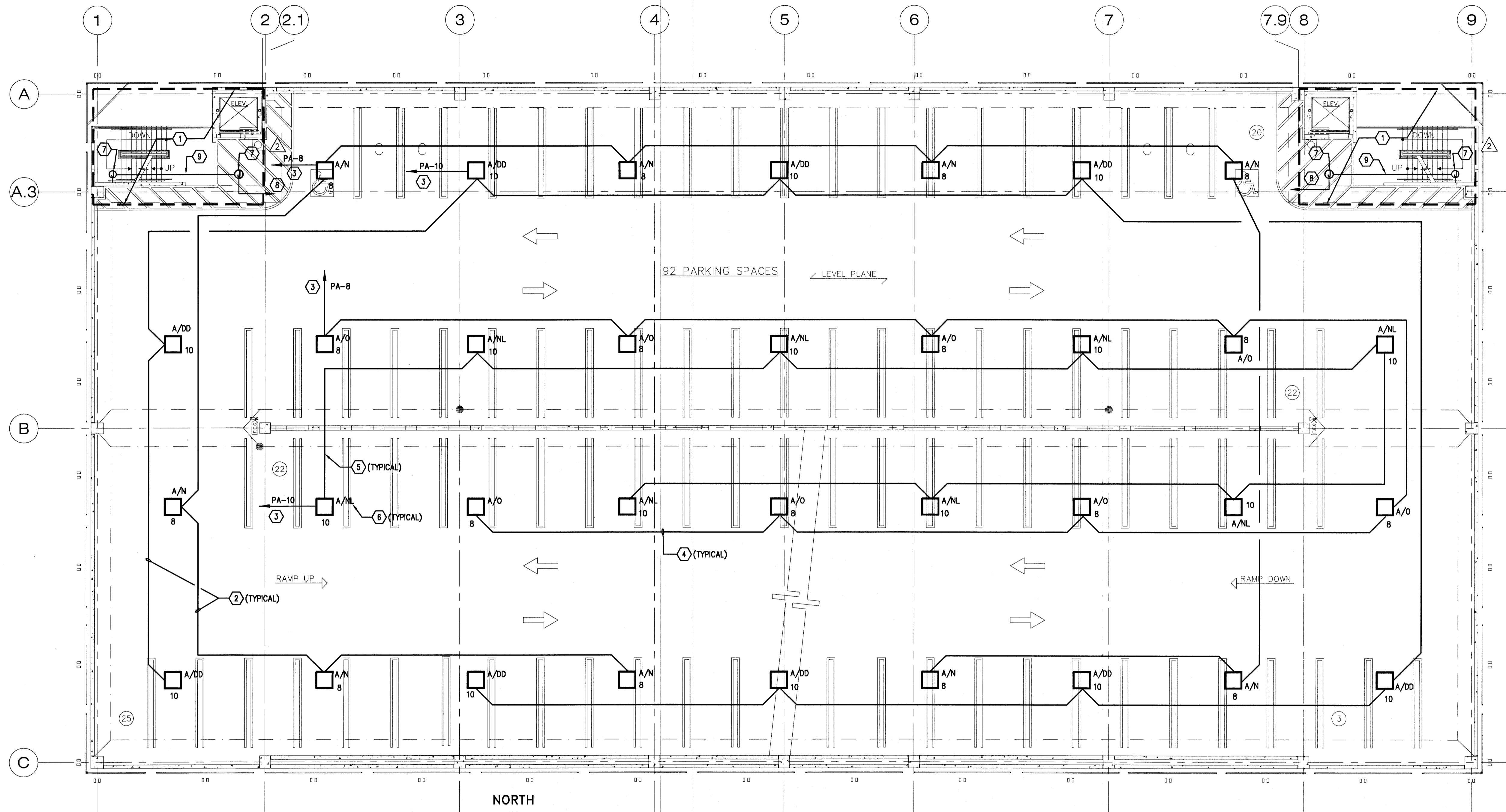
CONSTRUCTION
AND PERMIT SET
4-3-08



**LOWER LEVEL
ELECTRICAL**
SCALE: 3/32" = 1'-0"

- KEYNOTES**
- FOR WORK IN THIS AREA, SEE PART PLAN ON DRAWING E105
 - BRANCH CIRCUIT WIRING FOR THE TYPE "A" FIXTURE MAY BE INSTALLED IN ONE CONDUIT.
 - HOME RUN TO PANELBOARD RUN VIA LIGHTING CONTACTOR, FOR ADDITIONAL INFORMATION REFER TO DRAWING E106
 - CONDUIT TO PARKING AREA LIGHTING (FIXTURE TYPE "A") SHALL BE 3/4" RIGID STEEL GALVANIZED (RSG) SURFACE MOUNTED. COORDINATE ROUTING THROUGH "DOUBLE TEES" WITH SLEEVES SHOWN BY THE STRUCTURAL ENGINEER. BRANCH WIRING SHALL BE 2 #10 & 1 #10 GND.
 - TAMPER SWITCHES ON DOUBLE CHECK VALVE ASSEMBLY, COORDINATE WITH CIVIL FOR EXACT LOCATION AND REQUIREMENTS.
 - CONDUIT (RSG) THAT RUNS PARALLEL TO THE STRUCTURAL "DOUBLE TEES" SHALL BE SURFACE MOUNTED ON UNDERSIDE OF DECK.
 - LETTERING DENOTES FIXTURE TYPE "A" AND:
NL - NIGHT LIGHT
N - NORMAL OPERATION
DD - DARK DAY OPERATION
O - OPEN HOURS OPERATION
 - UTILITY COMPANY PAD MOUNTED TRANSFORMER. COORDINATE ALL REQUIREMENTS WITH FP&L PRIOR TO START OF WORK.
 - UTILITY COMPANY WATT/HOUR METER, COORDINATE ALL REQUIREMENTS WITH FP&L PRIOR TO START OF WORK.
 - UNDERGROUND (4" PVC 24" MINIMUM BELOW FINISHED GRADE) SERVICE LATERAL, FOR ADDITIONAL INFORMATION REFER TO DRAWING E105.
 - UNDERGROUND (2" PVC 24" MINIMUM BELOW FINISHED GRADE) TELEPHONE SYSTEM CONDUIT.
 - TELEPHONE SYSTEM PROPERTY LINE BOX, COORDINATE EXACT LOCATION AND REQUIREMENTS WITH UNITED TELEPHONE COMPANY.
 - SERVICE LATERAL CONDUIT RUN VERTICAL TO ELECTRICAL ROOM ON THE THIRD FLOOR, REFER TO DWG. E105 FOR ADDITIONAL INFORMATION. VERTICAL SECTION OF THIS CONDUIT RUN SHALL BE ENCASED IN CONCRETE AS REQUIRED BY THE NATIONAL ELECTRICAL CODE.
 - TELEPHONE CONDUIT RUN UP TO THIRD FLOOR, REFER TO DWG. E105 FOR ADDITIONAL INFORMATION.
 - TYPE "D" LIGHTING FIXTURES LOCATED IN THE RETENTION BASIN AREA SHALL BE MOUNTED 8'-0" ABOVE FINISHED GRADE.
 - NEMA 3R, 240V, 3P, 60A DISCONNECT SWITCH FOR SERVICE TO THE COMPACTOR. COORDINATE EXTRACTION LOCATION AND REQUIREMENTS WITH THE CONSTRUCTION MANAGER PRIOR TO START OF WORK.
 - JUNCTION BOX FOR "CAR COUNTER". COORDINATE EXACT LOCATION WITH THE CONSTRUCTION MANAGER PRIOR TO START OF WORK.
 - JUNCTION BOX FOR SERVICE TO IRRIGATION SYSTEM CONTROLLER AND PUMP. COORDINATE EXACT REQUIREMENTS WITH THE LANDSCAPING CONTRACTOR PRIOR TO ROUGH-IN. PROVIDE 3/4" C., 2 #10 & 1 #10 GND. TO PANELBOARD.
 - NOT USED
 - NOT USED
 - (2) 3/4" EMPTY CONDUIT FOR GATE POWER RUN TO PANELBOARD "PA". COORDINATE EXACT REQUIREMENTS PRIOR TO START OF WORK.
 - 3/4" EMPTY CONDUIT FOR FUTURE CAR COUNTER RUN TO COMMUNICATIONS BACKBOARD ON THIRD FLOOR. COORDINATE EXACT REQUIREMENTS WITH THE CONSTRUCTION MANAGER PRIOR TO START OF WORK.
 - 3/4" EMPTY CONDUIT AND JUNCTION BOX FOR FUTURE FEE COLLECTION STATION. CONDUIT SHALL TERMINATE AT TERMINAL BACKBOARD.
 - JUNCTION BOX FOR CONNECTION TO FUTURE CCTV CAMERA. COORDINATE EXACT LOCATION WITH THE CONSTRUCTION MANAGER PRIOR TO ROUGH-IN.
 - 3/4" EMPTY CONDUIT RUN TO THE TERMINAL BACKBOARD AND TERMINATED WITH INSULATING BUSHING FOR FUTURE CCTV CABLING.
 - 1" EMPTY CONDUIT RUN TO THE TERMINAL BACKBOARD AND TERMINATED WITH INSULATING BUSHING FOR FUTURE CCTV CABLING.
 - 3/4" EMPTY CONDUIT FOR FUTURE CCTV CABLING.

\\tich1\work\2007-jobs\407105-Naples Parking Garage\CAD-MEP\Sheets E101.dwg 6/25/2008 11:40:14 AM winiford.marshall



NORTH

SECOND LEVEL - ELECTRICAL
 SCALE: 3/32" = 1'-0"

- # KEYNOTES**
1. FOR WORK IN THIS AREA, SEE PART PLAN ON DRAWING E105
 2. BRANCH CIRCUIT WIRING FOR THE TYPE "A" FIXTURE MAY BE INSTALLED IN ONE CONDUIT.
 3. HOMERUN TO PANELBOARD RUN VIA LIGHTING CONTACTOR, FOR ADDITIONAL INFORMATION REFER TO DRAWING E106
 4. CONDUIT TO PARKING AREA LIGHTING (FIXTURE TYPE "A") SHALL BE 3/4" RIGID STEEL GALVANIZED (RSG) SURFACE MOUNTED, COORDINATE ROUTING THROUGH "DOUBLE TEES" WITH SLEEVES SHOWN BY THE STRUCTURAL ENGINEER. BRANCH WIRING SHALL BE 2 #10 & 1 #10 GND.
 5. CONDUIT (RSG) THAT RUNS PARALLEL TO THE STRUCTURAL "DOUBLE TEES" SHALL BE SURFACE MOUNTED ON UNDERSIDE OF DECK.
 6. LETTERING DENOTES FIXTURE TYPE "A" AND:
 NL - NIGHT LIGHT
 N - NORMAL OPERATION
 DO - DARK DAY OPERATION
 O - OPEN HOURS OPERATION
 7. JUNCTION BOX FOR CONNECTION TO FUTURE CCTV CAMERA. COORDINATE EXACT LOCATION WITH THE CONSTRUCTION MANAGER PRIOR TO ROUGH-IN.
 8. 1" EMPTY CONDUIT RUN TO THE TERMINAL BACKBOARD AND TERMINATED WITH INSULATING BUSHING FOR FUTURE CCTV CABLING.
 9. 3/4" EMPTY CONDUIT FOR FUTURE CCTV CABLING.

ACOB
 Andrea Clark Brown + David Poorman Architects PA
+DPA

340 8th Street South Naples Florida 34102
 t 239-263-3898 f 239-263-6025 AA2302

MILESTONES	
ORIGIN	
D.D. 100%	
C.D. 100%	
BID	
PERMIT	
CONSTRUCTION	
REV CONST.	

REVISIONS		
NO.	DESC.	DATE
△	ADDENDUM 1	2-6-08
△	ADDENDUM 2	2-15-08

© Copyright 2007
 Andrea Clark Brown + David Poorman
 Architects PA
 These drawings and the contents
 herein are the sole property of
 Andrea Clark Brown + David Poorman
 Architects PA
 and no portion of any may be printed
 or copied without the express
 permission of this design office.

**NAPLES PUBLIC
 PARKING
 FACILITY**
 6th Ave. So. & 8th St.
 Naples Florida
 3 4 1 0 2

**SECOND
 LEVEL
 ELECTRICAL**

SCALE: 3/32" = 1'-0"
 DRAWN BY: PED
 PLOT DATE:
 ISSUED: PERMIT-BID SET 1/6/08



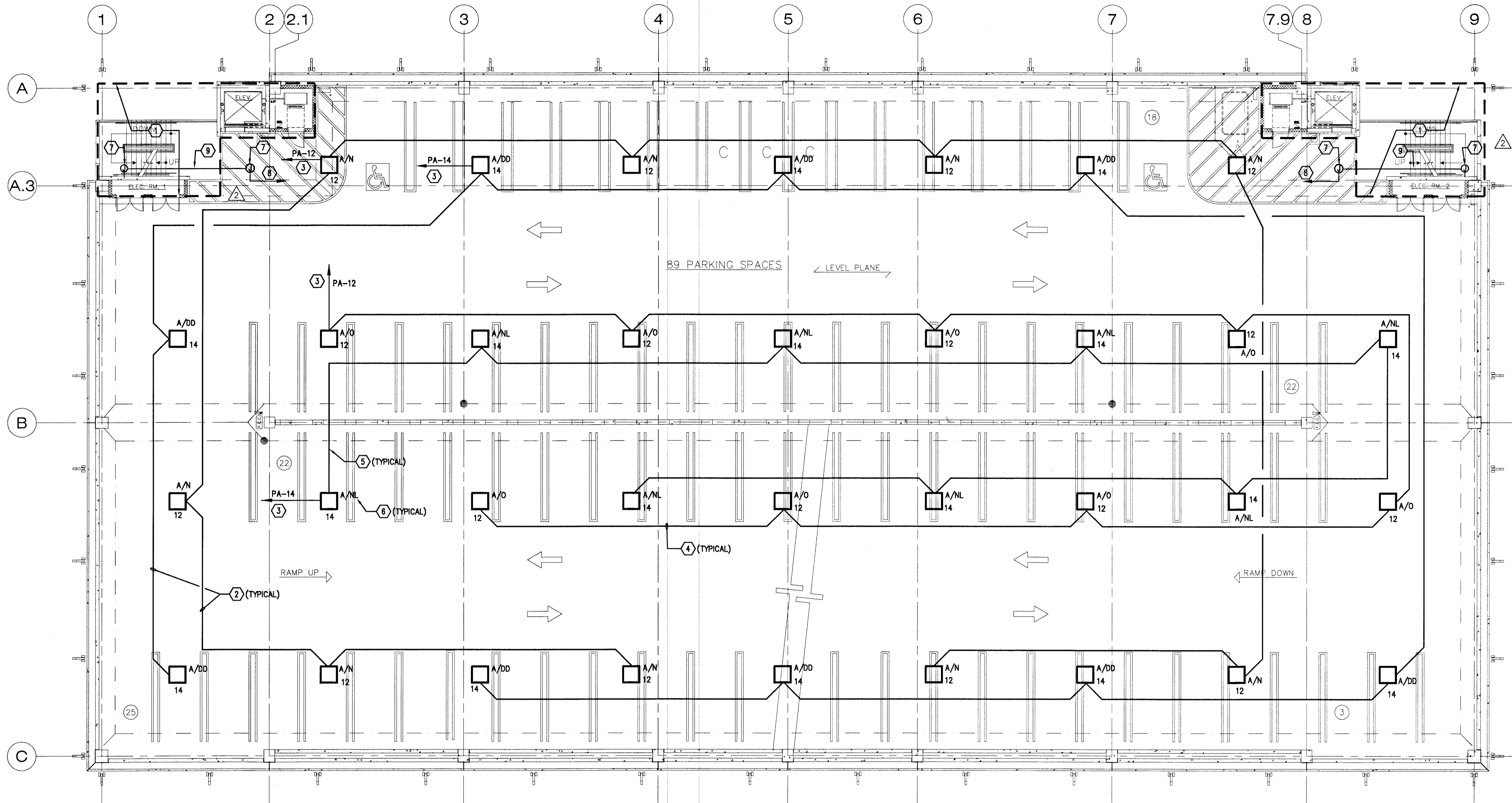
E102

CONSTRUCTION
 AND PERMIT SET
 4-3-08

TLC 1400 Colonial Boulevard
 Suite 203
 Fort Myers, Florida 33907
 Phone: 239-275-4240
 Fax: 239-275-3511
 www.tlc-engineers.com
 © Copyright 2007 TLC Engineering for Architecture, Inc.
 EB #0000015 TLC NO: 407105

Brett L. Sands, P.E.
 Florida License #48477
(Handwritten signature)
 Seal

\\vic41\work\2007-jobs\407105-Naples Parking Garage\CAD-MEP\Sheets E102.dwg 6/25/2008 11:40:20 AM winford.marshall



NORTH

THIRD LEVEL - ELECTRICAL
 SCALE: 3/32"=1'-0"

KEYNOTES

1. FOR WORK IN THIS AREA, SEE PART PLAN ON DRAWING E105
2. BRANCH CIRCUIT WIRING FOR THE TYPE "A" FIXTURE MAY BE INSTALLED IN ONE CONDUIT.
3. HOMERUN TO PANELBOARD RUN VIA LIGHTING CONTACTOR, FOR ADDITIONAL INFORMATION REFER TO DRAWING E106
4. CONDUIT TO PARKING AREA LIGHTING SHALL BE 3/4" RIGID STEEL GALVANIZED (RSG) SURFACE MOUNTED. COORDINATE ROUTING THROUGH "DOUBLE TEES" WITH SLEEVES SHOWN BY THE STRUCTURAL ENGINEER. BRANCH CIRCUIT SHALL BE 2 #10 & 1 #10 GND.
5. CONDUIT (RSG) THAT RUNS PARALLEL TO THE STRUCTURAL "DOUBLE TEES" SHALL BE SURFACE MOUNTED ON UNDERSIDE OF DECK.
6. LETTERING DENOTES FIXTURE TYPE "A" AND:
 NL - NIGHT LIGHT
 N - NORMAL OPERATION
 DD - DARK DAY OPERATION
 O - OPEN HOURS OPERATION
7. JUNCTION BOX FOR CONNECTION TO FUTURE CCTV CAMERA. COORDINATE EXACT LOCATION WITH THE CONSTRUCTION MANAGER PRIOR TO ROUGH-IN.
8. 1" EMPTY CONDUIT RUN TO THE TERMINAL BACKBOARD AND TERMINATED WITH INSULATING BUSHING FOR FUTURE CCTV CABLING.
9. 3/4" EMPTY CONDUIT FOR FUTURE CCTV CABLING.

ACB
 Andrea Clark Brown + David Poorman Architects PA
+DPA

340 8th Street South Naples Florida 34102
 T 239-263-3898 F 239-263-6025 AA2302

MILESTONES	
ORIGIN	
D.D. 100%	
C.D. 100%	
BID	
PERMIT	
CONSTRUCTION	
REV CONST.	

REVISIONS		
NO.	DESC.	DATE
1	ADDENDUM 1	2-6-08
2	ADDENDUM 2	2-15-08

© Copyright 2007
 Andrea Clark Brown + David Poorman Architects PA
 These drawings and the contents herein are the sole property of Andrea Clark Brown + David Poorman Architects PA and no portion of any may be printed or copied without the express permission of this design office.

NAPLES PUBLIC PARKING FACILITY
 6th Ave. So. & 8th St.
 Naples Florida
 3 4 1 0 2

THIRD LEVEL ELECTRICAL

SCALE: 3/32" = 1'-0"
 DRAWN BY: PED
 PLOT DATE:
 ISSUED: PERMIT-BID SET 1/30/08



E103

CONSTRUCTION AND PERMIT SET
 4-3-08

TLC ENGINEERING FOR ARCHITECTS
 1400 Colonial Boulevard Suite 203 Fort Myers, Florida 33907
 Phone: 239-275-4240 Fax: 239-275-3511
 www.tlc-engineers.com
 © Copyright 2007 TLC Engineering for Architecture, Inc. EB #0000015 TLC NO: 407105

Brett L. Sands, P.E.
 Florida License #48477

[Handwritten Signature]
 6/27/08

MILESTONES	
ORIGIN	
D.D. 100%	
C.D. 100%	
BID	
PERMIT	
CONSTRUCTION	
REV CONST.	

REVISIONS		
NO.	DESC.	DATE
△	ADDENDUM 1	2-6-08
△	ADDENDUM 2	2-15-08

© Copyright 2007
Andrea Clark Brown + David Poorman
Architects PA

These drawings and the contents
herein are the sole property of
Andrea Clark Brown + David Poorman
Architects PA
and no portion of any may be printed
or copied without the express
permission of this design office.

**NAPLES PUBLIC
PARKING
FACILITY**
6th Ave. So. & 8th St.
Naples Florida
3 4 1 0 2

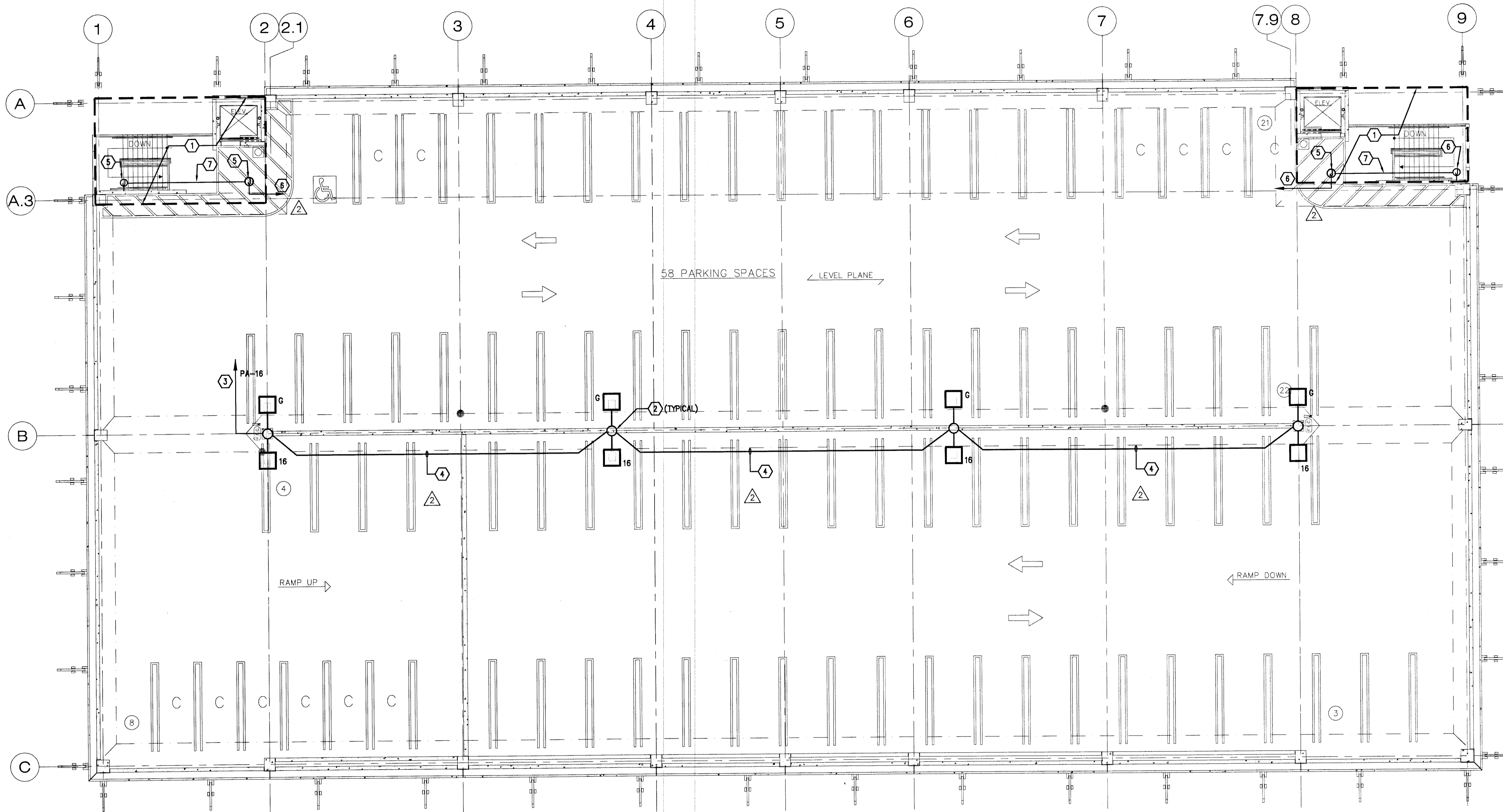
**TOP
LEVEL
ELECTRICAL**

SCALE: 3/32" = 1'-0"
DRAWN BY: PED
PLOT DATE:
ISSUED: PERMIT-BID SET 1/30/08



E104

CONSTRUCTION
AND PERMIT SET
4-3-08



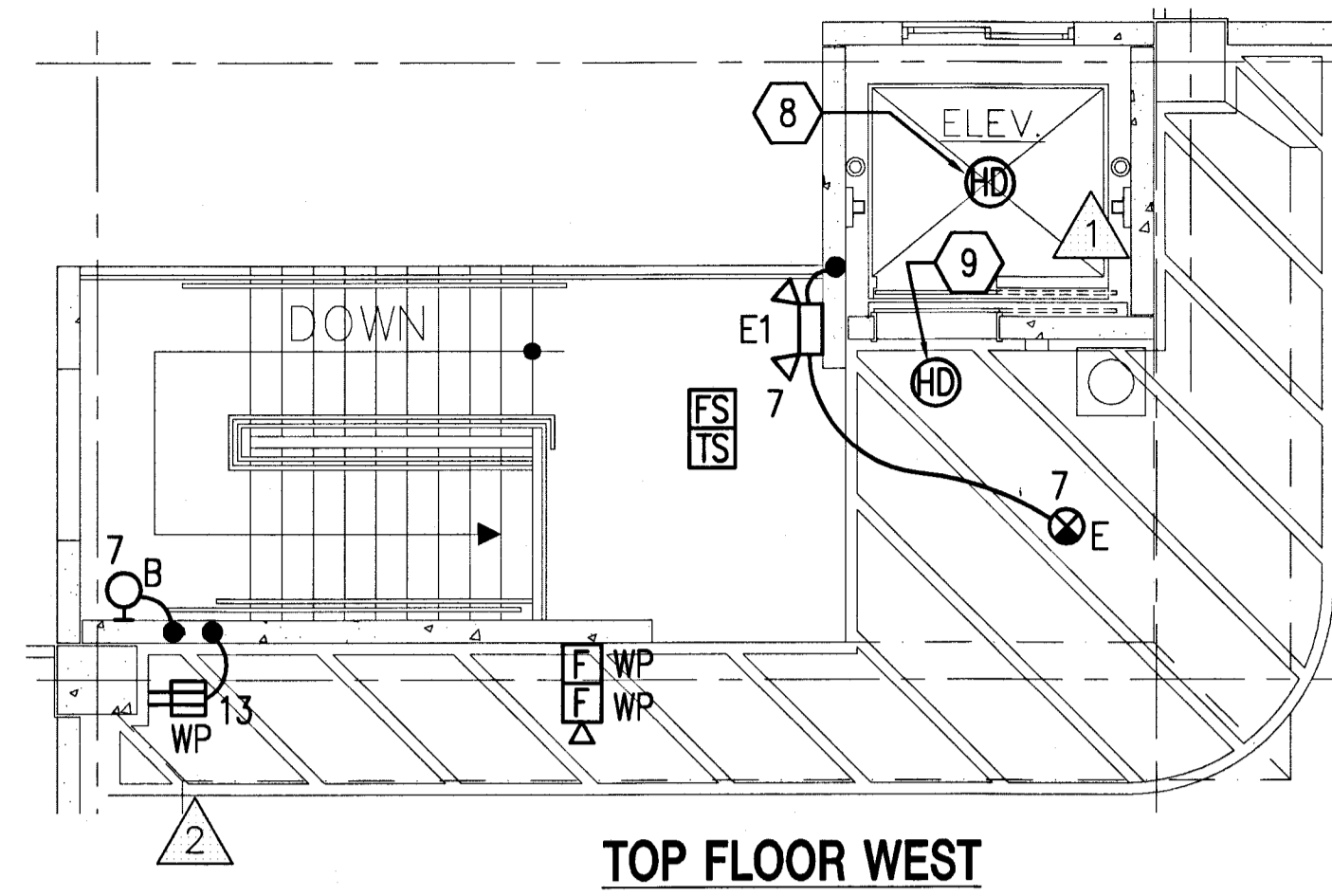
TOP LEVEL - ELECTRICAL
SCALE: 3/32" = 1'-0"

- KEYNOTES**
- FOR WORK IN THIS AREA, SEE PART PLAN ON DRAWING E105
 - POLE ANCHOR BOLTS TO BE INCORPORATED IN THE PRE-CAST CONSTRUCTION. THE ELECTRICAL CONTRACTOR SHALL PROVIDE SAID BOLTS AND MOUNTING TEMPLATE TO THE CONSTRUCTION MANAGER PRIOR TO START OF WORK.
 - HOMERUN TO PANELBOARD RUN VIA LIGHTING CONTACTOR, FOR ADDITIONAL INFORMATION REFER TO DRAWING E106
 - 3/4" RIGID CONDUIT STEEL GALVANIZED (RGS) SURFACE MOUNTED CONDUIT WITH 2 #8 & 1 #8 GND.
 - JUNCTION BOX FOR CONNECTION TO FUTURE CCTV CAMERA. COORDINATE EXACT LOCATION WITH THE CONSTRUCTION MANAGER PRIOR TO ROUGH-IN.
 - 1" EMPTY CONDUIT RUN TO THE TERMINAL BACKBOARD AND TERMINATED WITH INSULATING BUSHING FOR FUTURE CCTV CABLING.
 - 3/4" EMPTY CONDUIT FOR FUTURE CCTV CABLING.

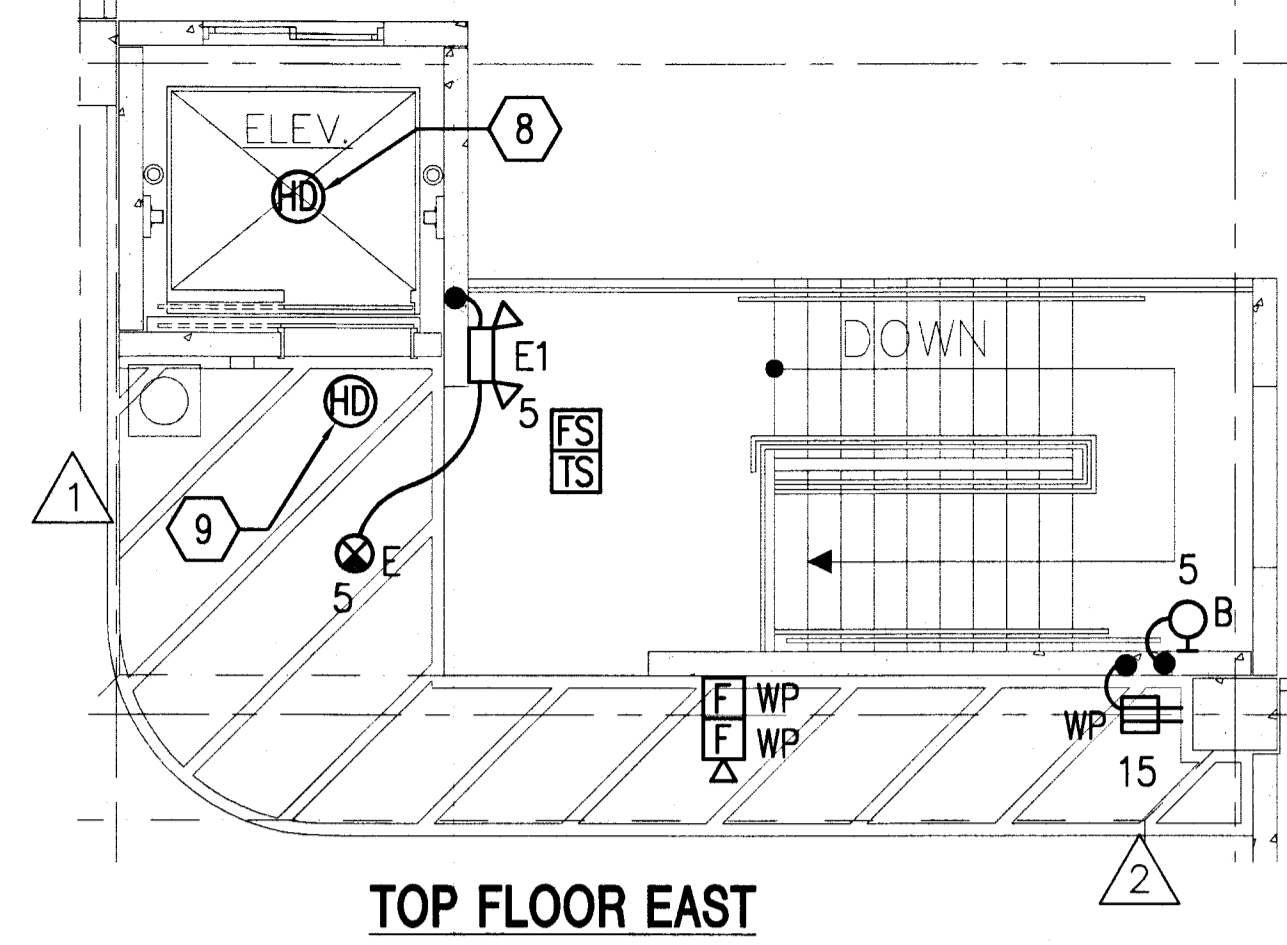
TLC
ENGINEERING
FOR ARCHITECTS
1400 Colonial Boulevard
Suite 203
Fort Myers, Florida 33907
Phone: 239-275-4240
Fax: 239-275-3511
www.tlc-engineers.com
© Copyright 2007 TLC Engineering for Architecture, Inc.
EB #0000015 TLC NO: 407105

Brett L. Sands, P.E.
Florida License #48477
[Signature]
1/30/08

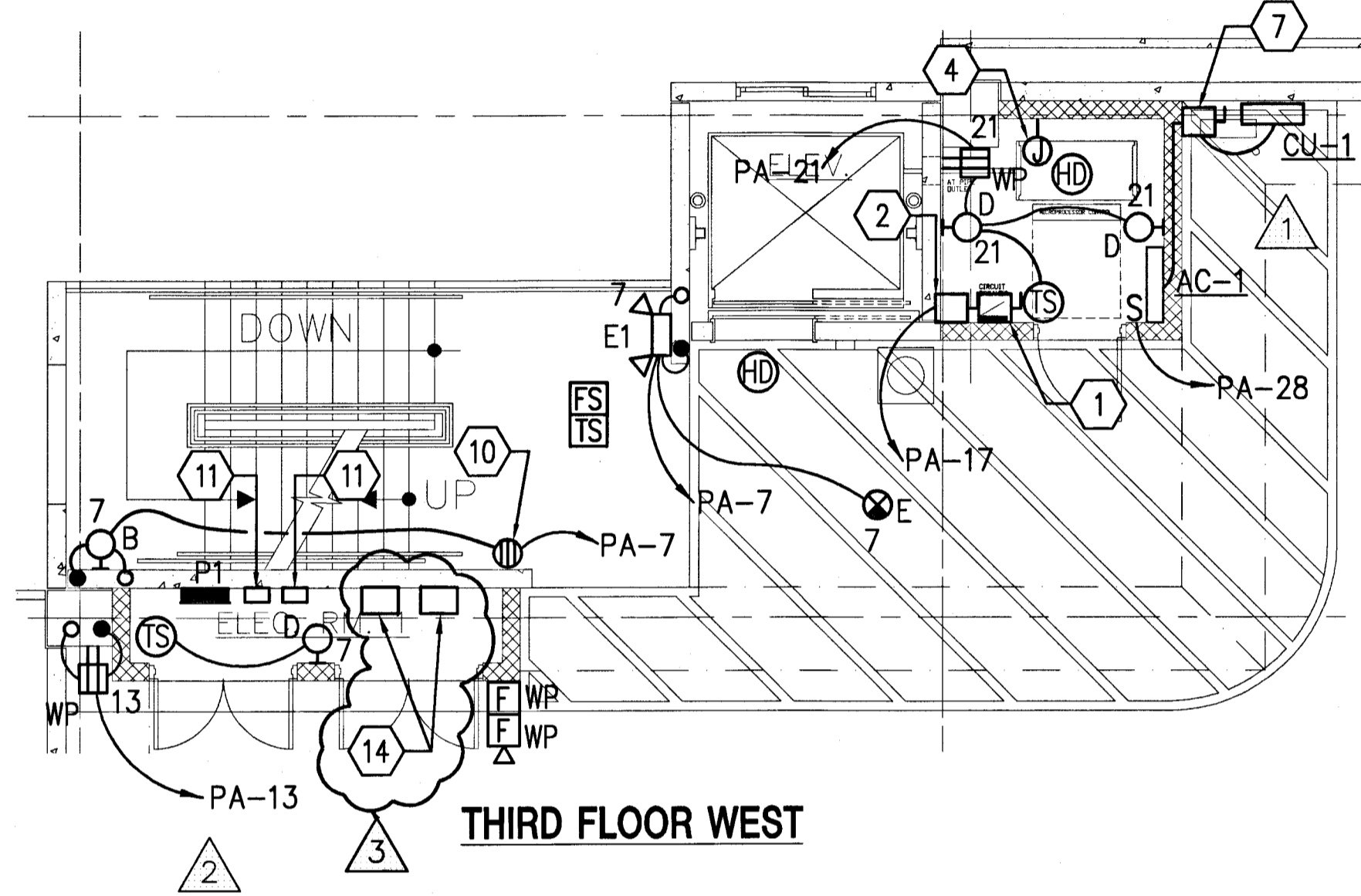
\\vic41\work\2007-jobs\Naples Parking Garage\CAD-MEP\Sheets E104.dwg 6/25/2008 11:40:33 AM winter.marshall



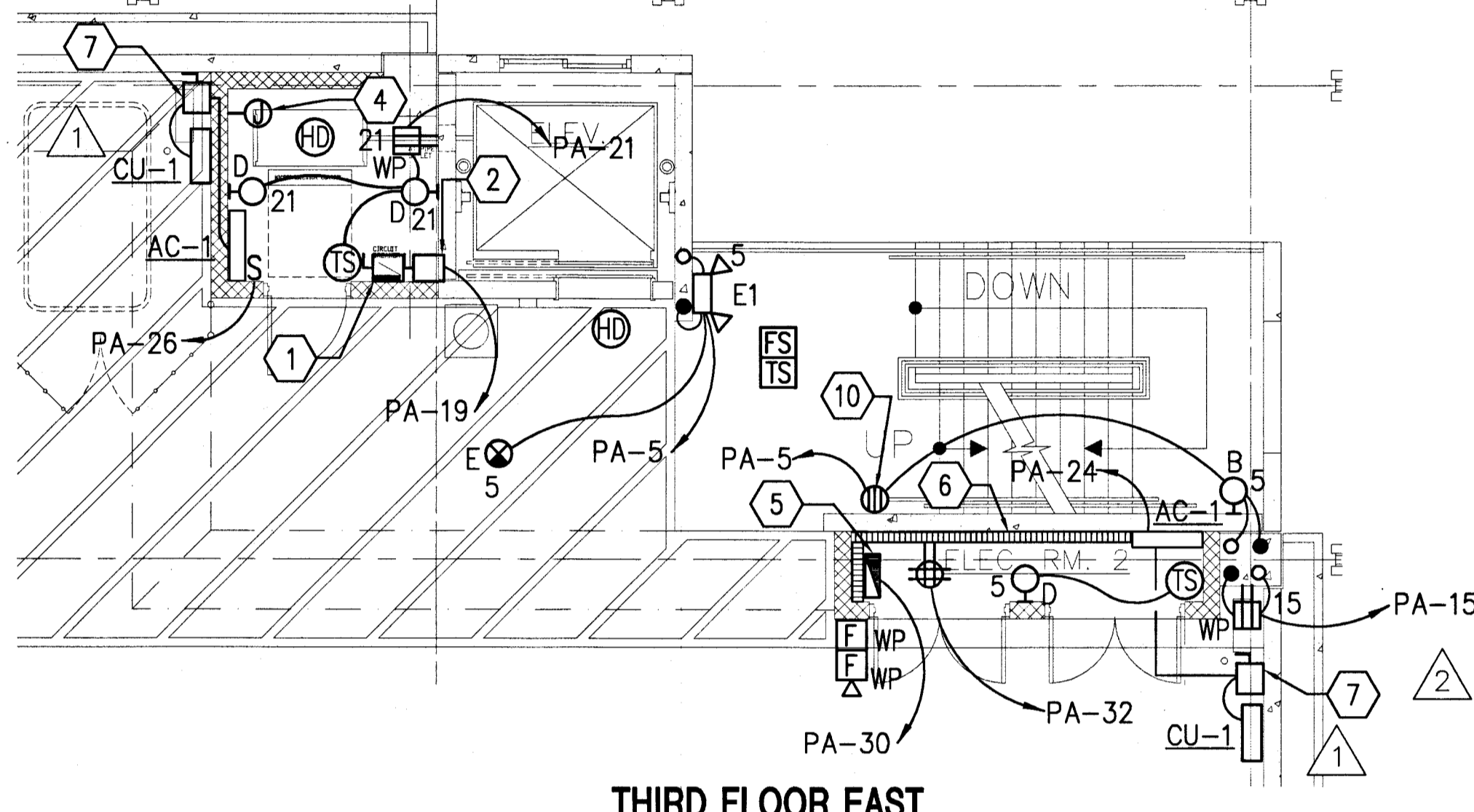
TOP FLOOR WEST



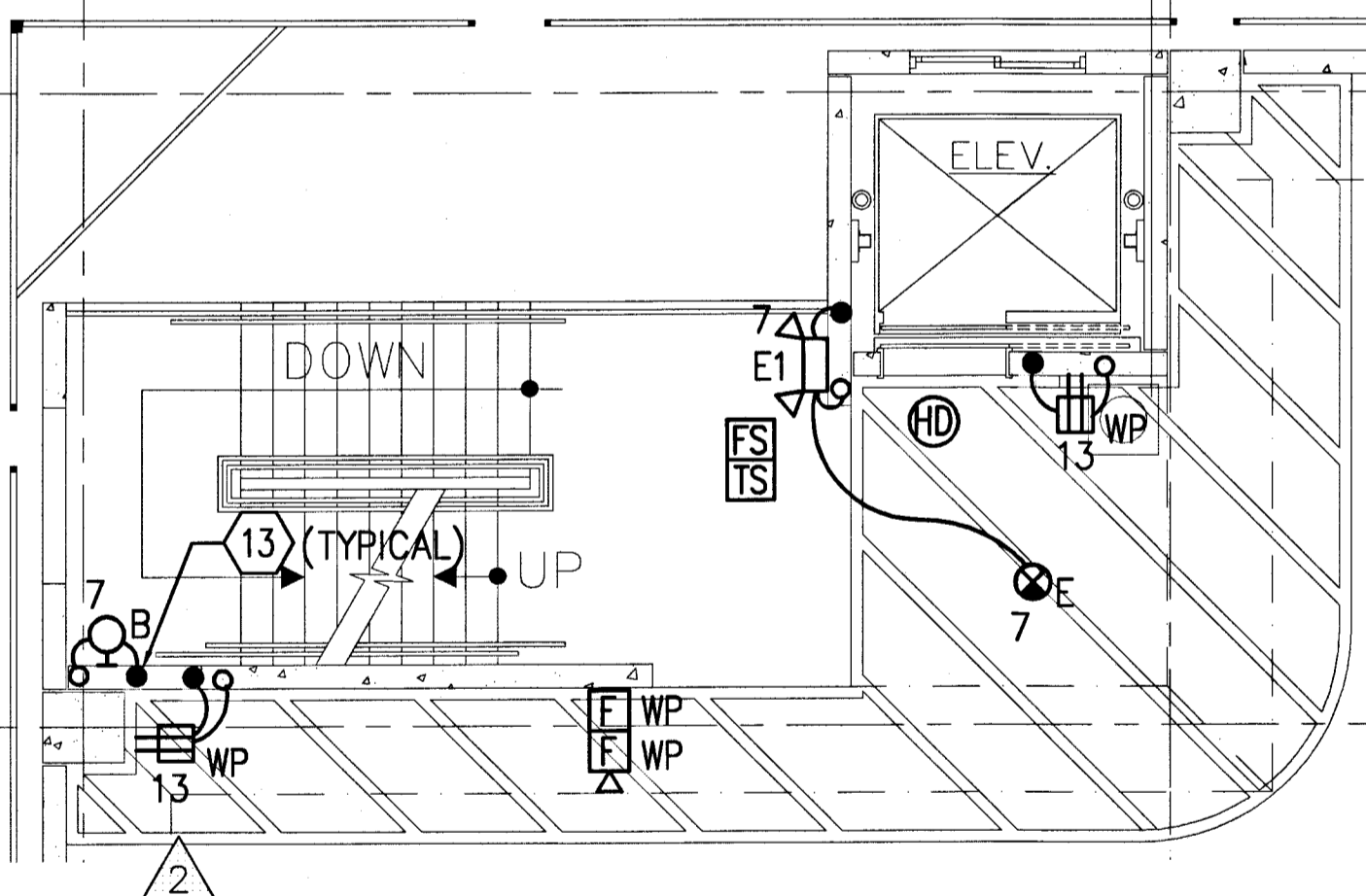
TOP FLOOR EAST



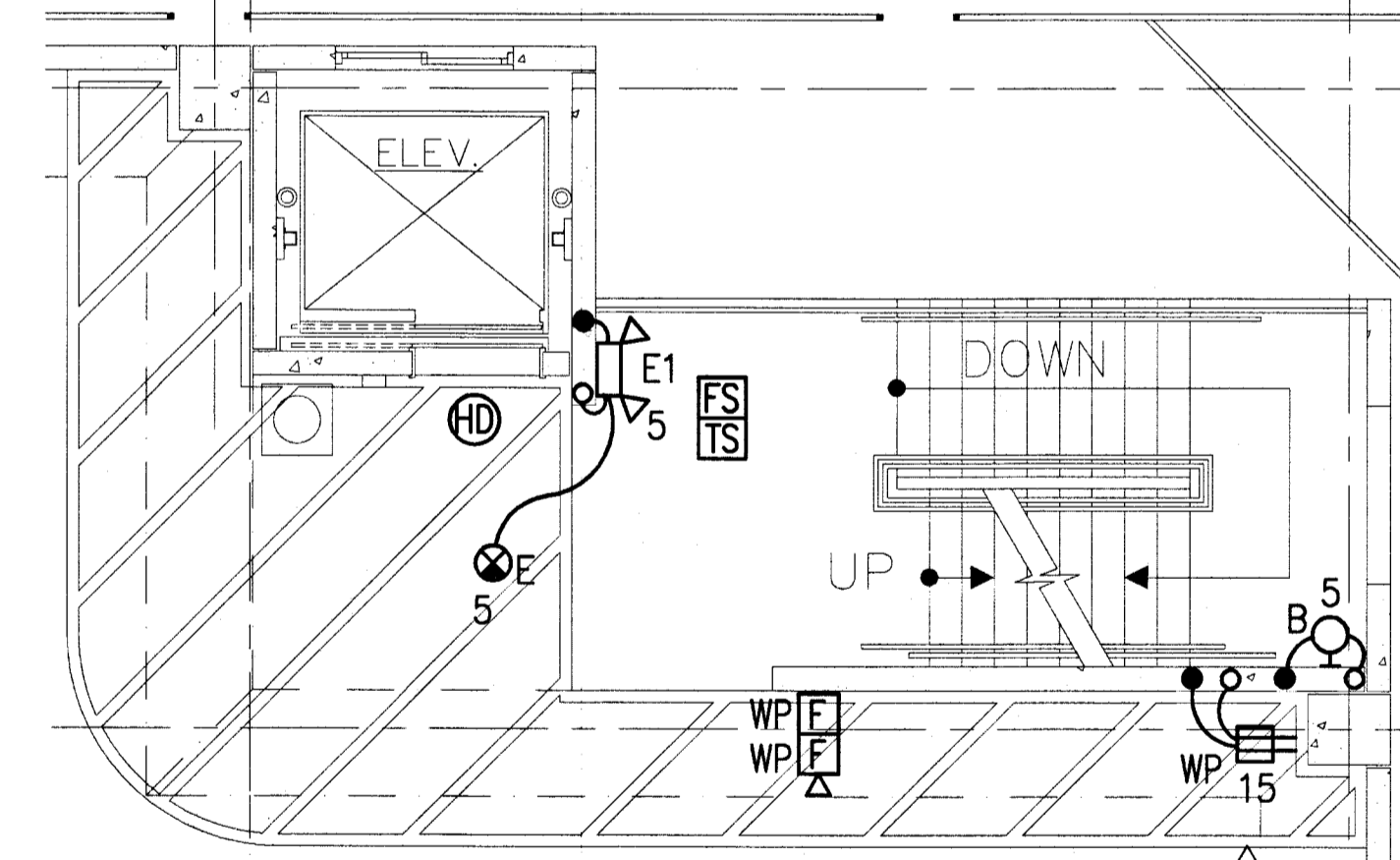
THIRD FLOOR WEST



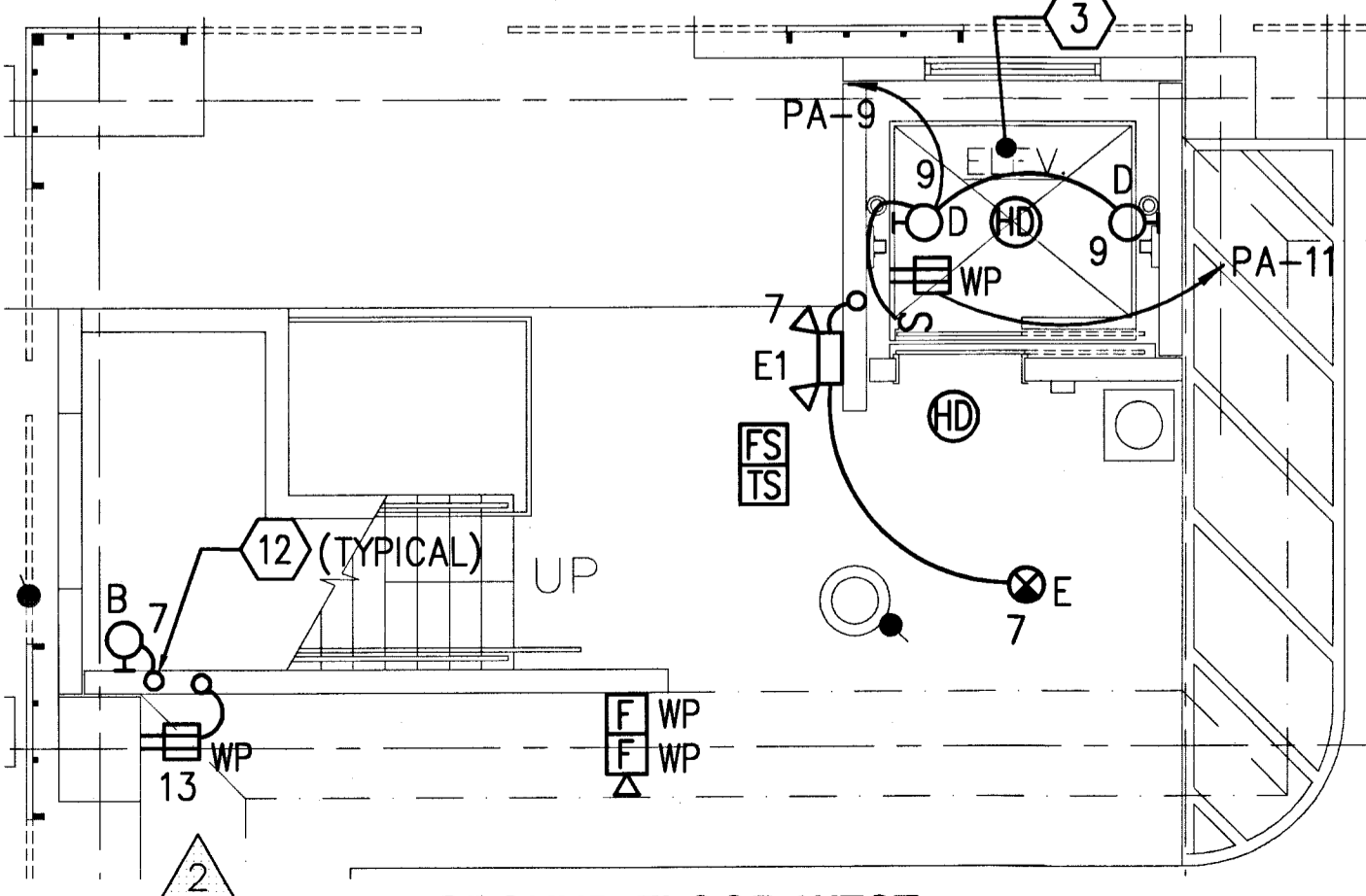
THIRD FLOOR EAST



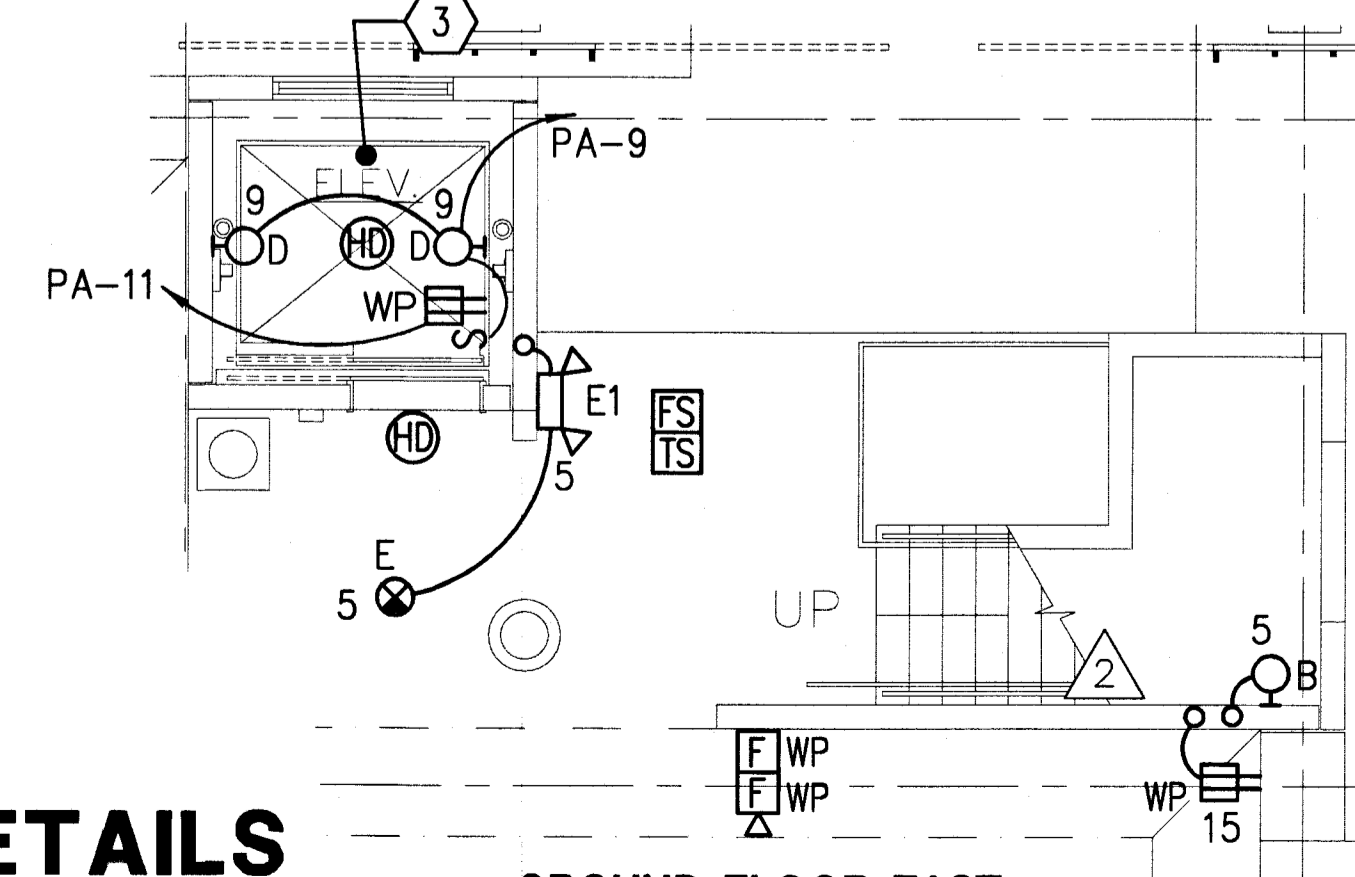
SECOND FLOOR WEST



SECOND FLOOR EAST



GROUND FLOOR WEST



GROUND FLOOR EAST

- KEYNOTES**
- ELEVATOR UNIT DISCONNECT SWITCH, FOR ADDITIONAL INFORMATION REFER TO DRAWING E106.
 - ELEVATOR CAB LIGHTING DISCONNECT SWITCH 120V., 1P.
 - ELEVATOR PIT LIGHT AND RECEPTACLE, COORDINATE EXACT LOCATION WITH THE ELEVATOR INSTALLER.
 - JUNCTION BOX FOR POSSIBLE TELEPHONE INTERFACE WITH ELEVATOR CAB, COORDINATE REQUIREMENTS WITH ELEVATOR INSTALLER, PROVIDE 3/4" EMPTY CONDUIT TO TELEPHONE BACKBOARD.
 - FIRE ALARM CONTROL PANEL.
 - 3/4"x8'-0" HIGH PLYWOOD BACKBOARD, PROVIDED WITH TWO (2) COATS OF BLACK FIRE-PROOF PAINT.
 - NEMA 3R, 120V., 1P. DISCONNECT SWITCH LOCATED ON GROUND LEVEL.
 - HEAT DETECTOR LOCATED AT TOP OF ELEVATOR SHAFT.
 - HEAT DETECTOR LOCATED IN SHADE AWAY FROM DIRECT SUN LIGHT.
 - WALL MOUNTED PHOTO-CELL FOR CONTROL OF STAIRWELL LIGHTS.
 - LOCATION FOR LIGHTING CONTROL EQUIPMENT, FOR ADDITIONAL INFORMATION SEE DRAWING E106
 - BRANCH CIRCUIT WIRING TO FIXTURES ON LEVEL ABOVE
 - BRANCH CIRCUIT WIRING TO FIXTURES ON LEVEL BELOW
 - PROPOSED LOCATION FOR MAINS #1 & #2.



ELECTRICAL PART PLANS AND DETAILS

SCALE: 3/16"=1'-0"

ACB
 Andrea Clark Brown + David Poorman Architects PA
+DPA

340 8th Street South Naples Florida 34102
 T 239-263-3898 F 239-263-6025 AA2302

MILESTONES

ORIGIN	
D.D. 100%	
C.D. 100%	
BID	
PERMIT	
CONSTRUCTION	
REV CONST.	

REVISIONS

NO.	DESC.	DATE
1	ADDENDUM 1	2-6-08
2	ADDENDUM 2	2-15-08
3	CODE REVIEW	6-25-08

© Copyright 2007
 Andrea Clark Brown + David Poorman Architects PA
 These drawings and the contents herein are the sole property of Andrea Clark Brown + David Poorman Architects PA and no portion of any may be printed or copied without the express permission of this design office.

NAPLES PUBLIC PARKING FACILITY
 6th Ave. So. & 8th St.
 Naples Florida
 3 4 1 0 2

ENLARGED ELECTRICAL PLANS

SCALE: AS NOTED
 DRAWN BY: PED
 PLOT DATE:
 ISSUED: PERMIT-BID SET 1/30/08



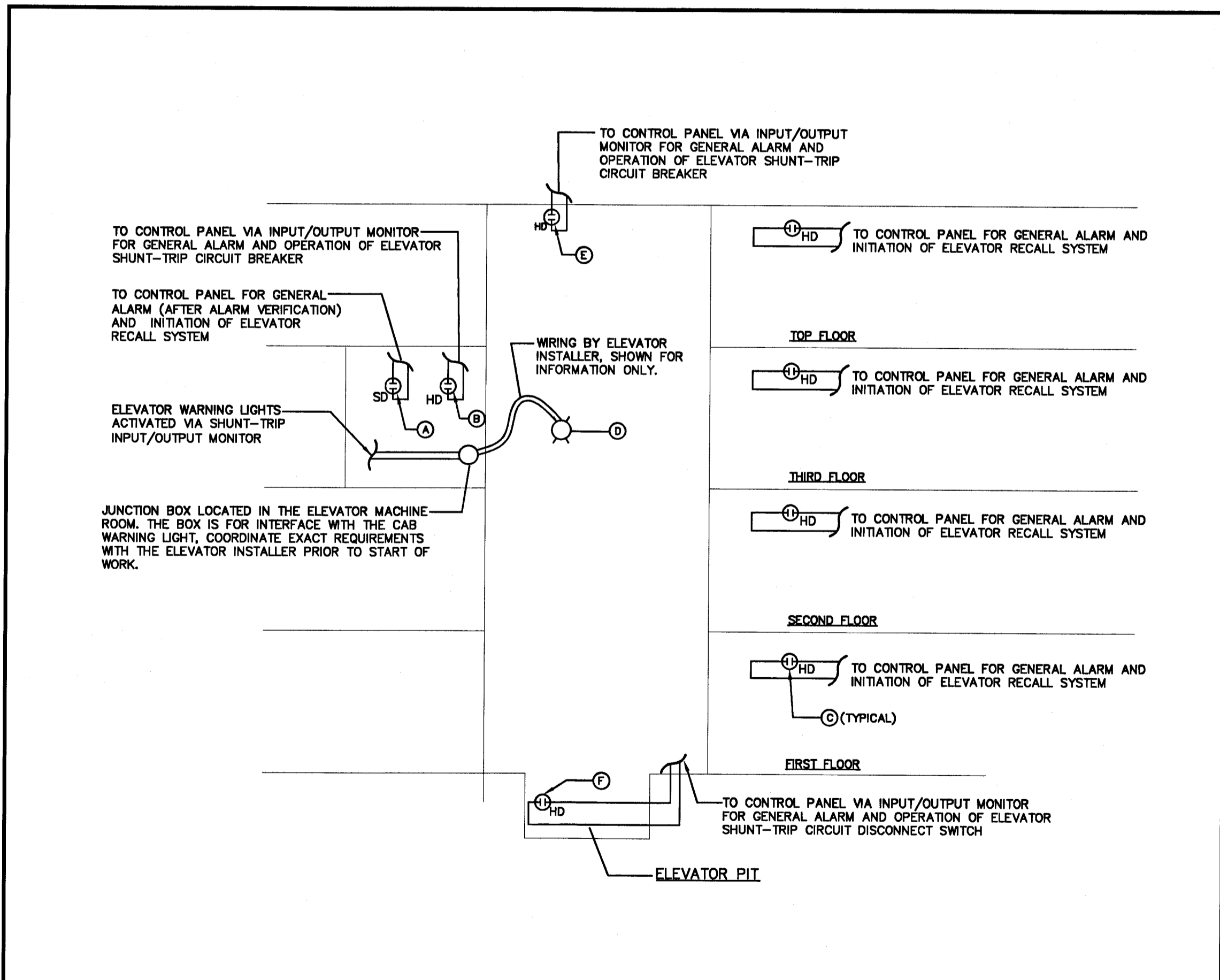
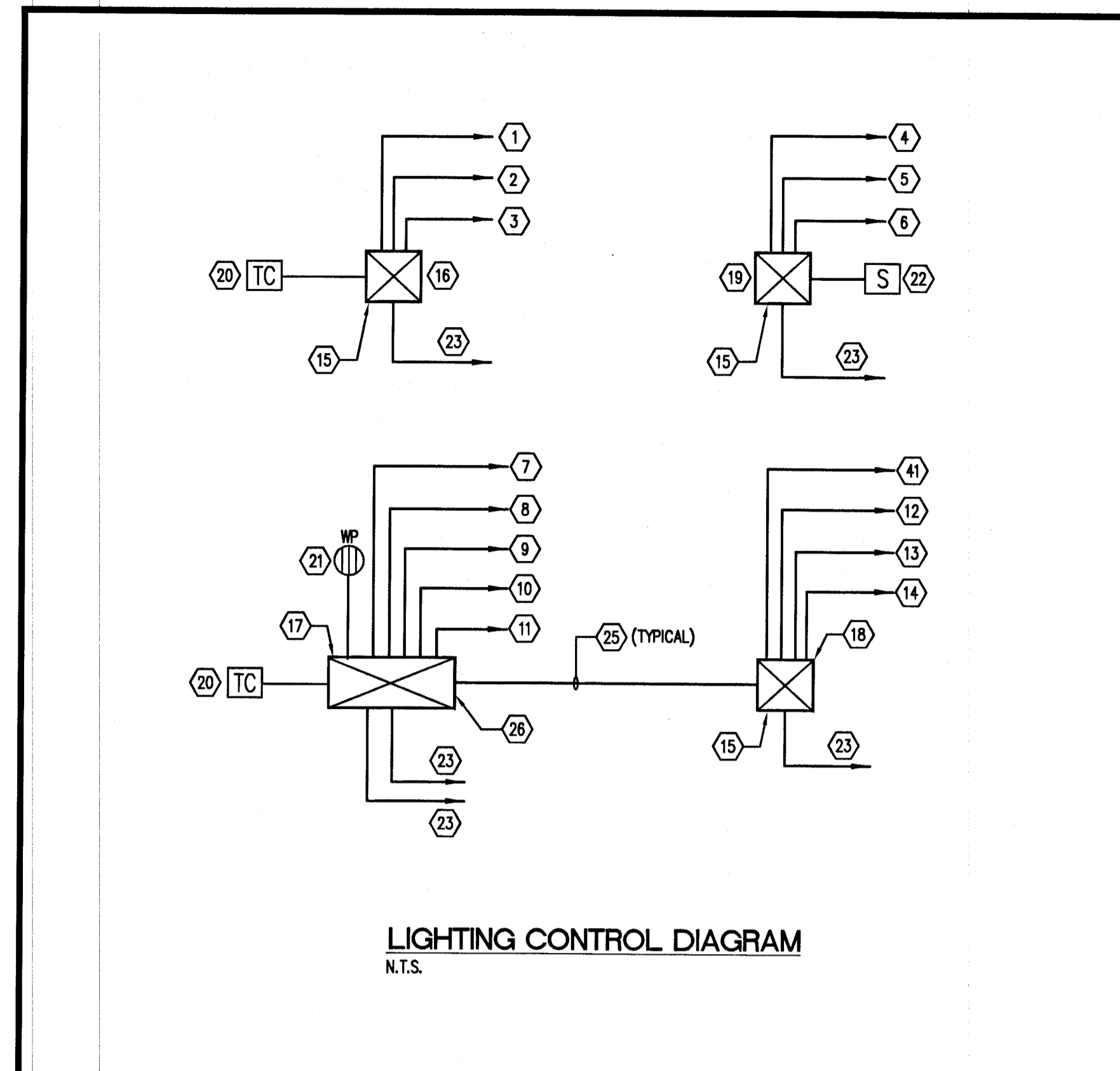
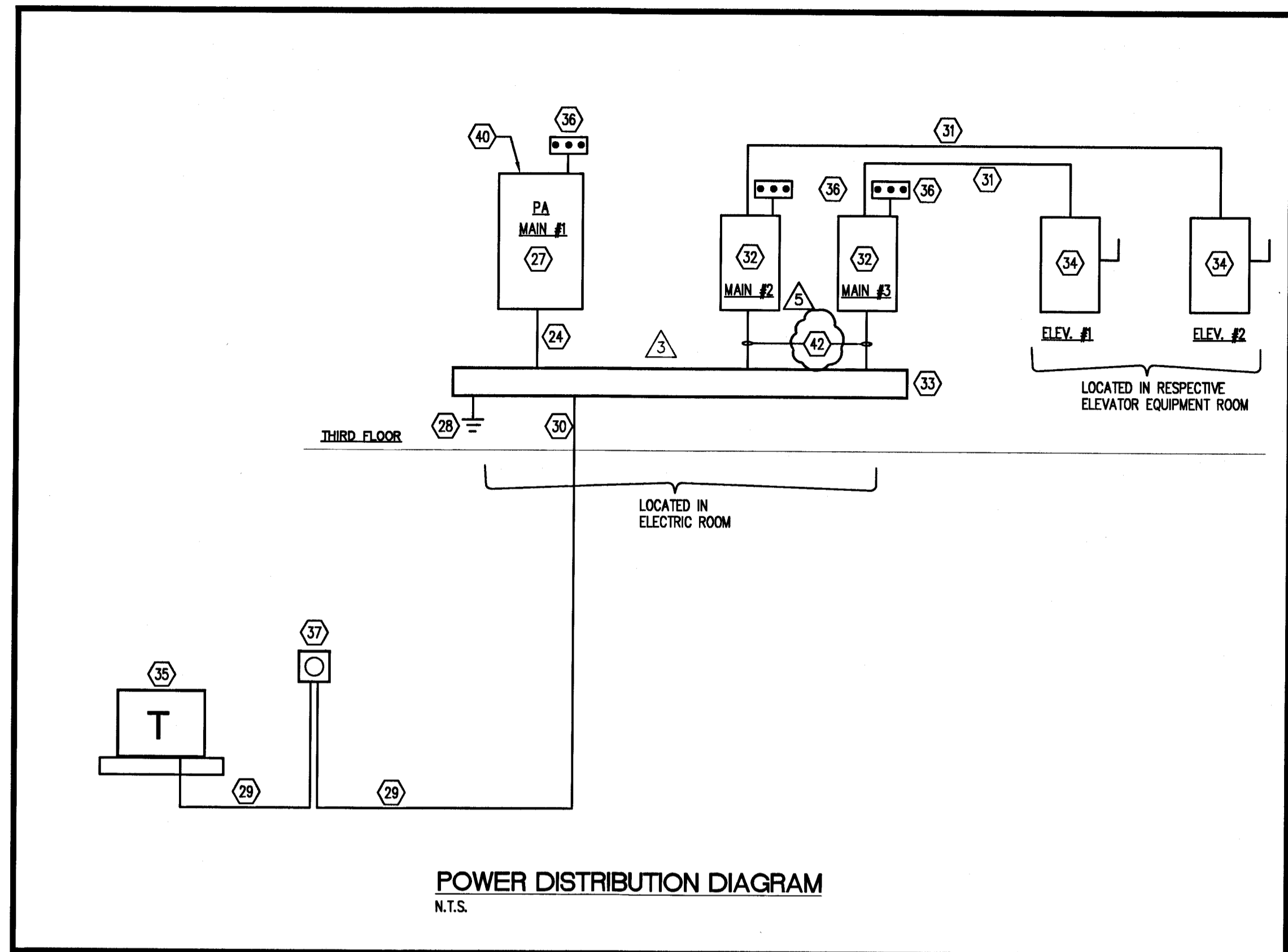
E105

CONSTRUCTION AND PERMIT SET
 4-3-08

TLC ENGINEERING
 1400 Colonial Boulevard Suite 203 Fort Myers, Florida 33907
 Phone: 239-275-4240 Fax: 239-275-3511
 www.tlc-engineers.com
 © Copyright 2007 TLC Engineering for Architecture, Inc.
 EB #0000015 TLC NO. 407105

Brett L. Sands, P.E.
 Florida License #48477
 6/27/08

\\lvc41\work\2007-Jobs\407105-Naples Parking Garage\CAD-MEP\Sheets E105.dwg 6/25/2008 11:40:43 AM winford.marshall



NOTES:

- DERIVE POWER FOR FLASHING WARNING LIGHTS FROM VISUAL ALARM CIRCUIT IN FIRE ALARM CONTROL PANEL.
- INITIATION OF ELEVATOR LOBBY, TOP OF SHAFT, OR MACHINE ROOM HEAT OR SMOKE DETECTOR LOOP SHALL PLACE ELEVATOR CONTROL INTO PHASE 1 RECALL MODE AND RETURN ELEVATOR TO DESIGNATED SAFE LEVEL.

LEGEND:

- Ⓐ CEILING MOUNTED SMOKE DETECTOR IN THE ELEVATOR MACHINE ROOM.
- Ⓑ 136° F RATE-OF-RISE CEILING MOUNTED HEAT DETECTOR IN THE ELEVATOR MACHINE ROOM. ONE DETECTOR REQUIRED FOR EACH SPINKLER HEAD WITHIN THE ROOM. HEAT DETECTOR SHALL BE LOCATED WITHIN TWO FEET OF SPINKLER HEAD.
- Ⓒ CEILING OR WALL MOUNTED DETECTOR IN THE ELEVATOR LOBBY.
- Ⓓ FLASHING WARNING LIGHT "DO NOT USE ELEVATOR" LOCATED WITHIN THE ELEVATOR CAB. COORDINATE EXACT WIRE TERMINATION LOCATION WITH THE ELEVATOR CONTRACTOR.
- Ⓔ 190° F FIXED TEMPERATURE CEILING MOUNTED HEAT DETECTOR AT THE TOP OF THE ELEVATOR SHAFT. ONE DETECTOR REQUIRED FOR EACH SPINKLER HEAD WITHIN THE SHAFT. HEAT DETECTOR SHALL BE LOCATED WITHIN TWO FEET OF SPINKLER HEAD.
- Ⓕ 136° F RATE-OF-RISE WALL MOUNTED HEAT DETECTOR IN ELEVATOR PIT.

PANEL PA

PANEL VOLTAGE: 120/208V, 3PH, 4W
M.C.B.: 125A
M.L.O.: N/A

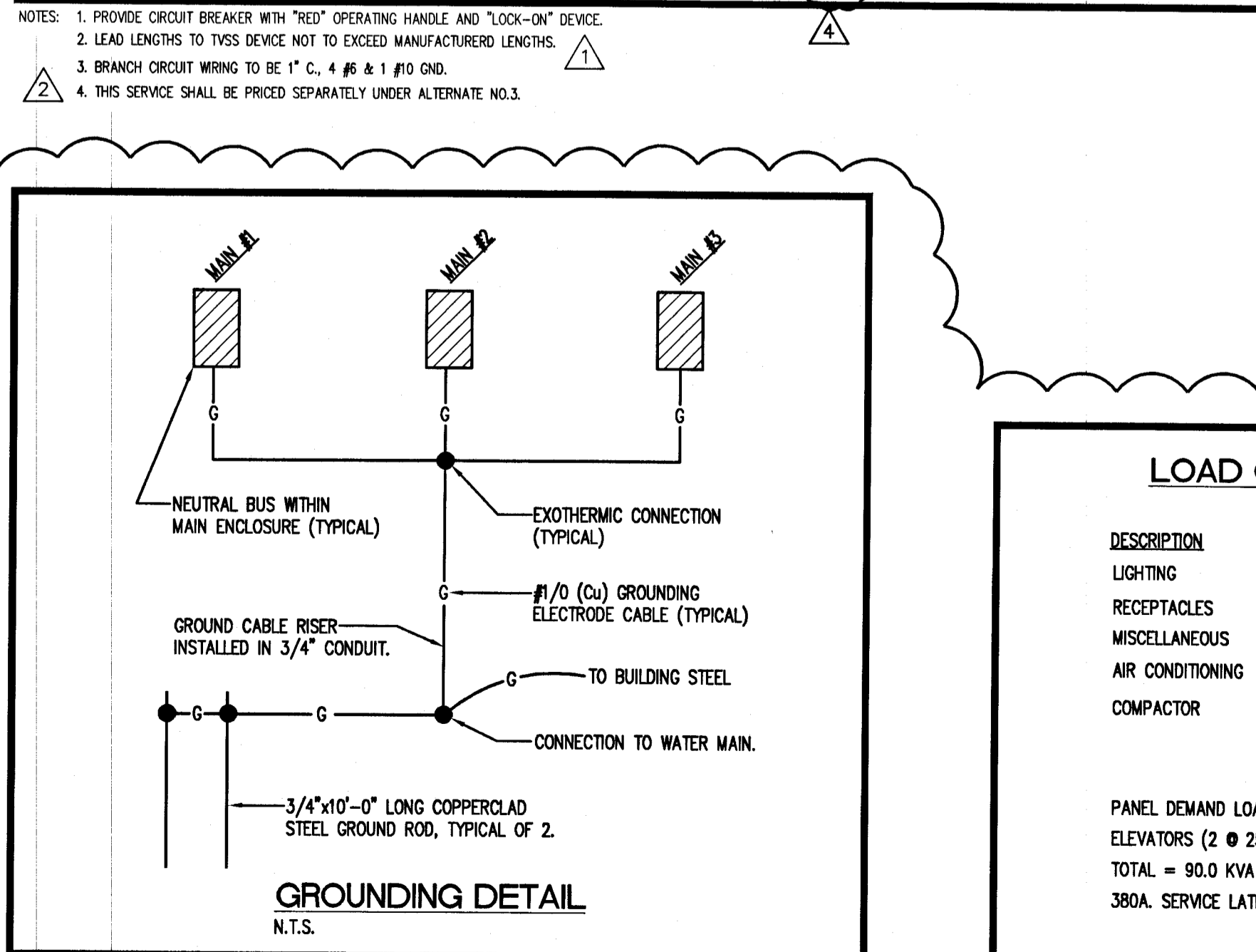
BUS RATING: 225A
LOCATION: ELEC. ROOM

AIC RATING: 18,000 SURFACE MOUNTING

CKT NO.	IDENTIFICATION	LOAD / PHASE (KVA)			TRIP	CIRCUIT BREAKER			LOAD / PHASE (KVA)			IDENTIFICATION	CKT NO.
		"A"	"B"	"C"		POLES	TRIP	"A"	"B"	"C"			
1	LANDSCAPE LIGHTING	1.9			20	1	1	20	1.0			LOWER LEVEL PARKING AREA LIGHTS	2
3	LANDSCAPE LIGHTING	1.9			20	1	1	20		92		LOWER LEVEL PARKING AREA LIGHTS	4
5	STAIR LIGHTING		40		20	1	1	20			88	RETENTION AREA LIGHTS	6
7	STAIR LIGHTING	40			20	1	1	20	1.2			2ND LEVEL PARKING AREA LIGHTS	8
9	ELEVATOR PIT LIGHTS		40		20	1	1	20	1.2		1.2	2ND LEVEL PARKING AREA LIGHTS	10
11	ELEVATOR PIT RECEPTACLES		36		20	1	1	20				3RD LEVEL PARKING AREA LIGHTS	12
13	RECEPTACLES	72			20	1	1	20	1.2			3RD LEVEL PARKING AREA LIGHTS	14
15	RECEPTACLES	72			20	1	1	30	1.8			DECK PARKING LIGHTS	16
17	ELEVATOR CAB LIGHTS		40		20	1	1	20				SPARE	18
19	ELEVATOR CAB LIGHTS	40			20	1	1	20				SPARE	20
21	ELEVATOR MACH. RM. LIGHTS & RECEPT	56			20	1	1	20				SPARE	22
23	CAR COUNTER		5		20	1	1	15		1.0	AC-1/CU-1	SPARE	24
25	SPACE				1	1	15	1.0			AC-1/CU-1	SPARE	26
27	SPACE				1	1	15		1.0		AC-1/CU-1	SPARE	28
29	SPACE				1	1	20		1.0		AC-1/CU-1	SPARE	30
31	SPACE				20	1	1	20	1.0			CONM. RECEPTACLE	32
33	SPACE				20	1	1	20				SPARE	34
35	IRRIGATION SYSTEM		1.0		20	1	1	20				TVSS	36
37	SPACE		3.86		3	3	30					TVSS	38
39	SPACE												40
41	SPACE												42
TOTALS:		7.28	7.44	6.52					5.40	4.92	4.1		
TOTAL KVA PHASE A:		12.68							12.68				
TOTAL KVA PHASE B:		12.36							35.86				
TOTAL KVA PHASE C:		10.62							33.74				
MAX. CONN. PHASE KVA:									35.86				
TOTAL CONNECTED KVA:									33.74				
TOTAL DEMAND KVA:									93				
TOTAL DEMAND AMPS:													

NOTES:

- PROVIDE CIRCUIT BREAKER WITH "RED" OPERATING HANDLE AND "LOCK-ON" DEVICE.
- LEAD LENGTHS TO TVSS DEVICE NOT TO EXCEED MANUFACTURER LENGTHS.
- BRANCH CIRCUIT WIRING TO BE 1" C, 4 # & 1 #10 GND.
- THIS SERVICE SHALL BE PRICED SEPARATELY UNDER ALTERNATE NO.3.



LOAD CALCULATIONS

DESCRIPTION	CONN. KVA	DEMAND KVA
LIGHTING	15.76	15.76
RECEPTACLES	2.8	1.4
MISCELLANEOUS	2.52	2.0
AIR CONDITIONING	3.0	3.0
COMPACTOR	11.58	11.58
	34.64	33.74

PANEL DEMAND LOAD = 33.74
ELEVATORS (2 @ 25 HP) = 56.3
TOTAL = 90.0 KVA @ 208V, 3φ = 250A.
380A SERVICE LATERAL PROVIDED

KEYNOTES

- 3/4" C, 2 #10 & 1 #10 GND. TO TYPE "A" FIXTURES (OPEN HOUR OPERATION) ON THIRD LEVEL.
- 3/4" C, 2 #10 & 1 #10 GND. TO TYPE "A" FIXTURES (OPEN HOUR OPERATION) ON SECOND LEVEL.
- 3/4" C, 2 #10 & 1 #10 GND. TO TYPE "A" FIXTURES (OPEN HOUR OPERATION) ON LOWER LEVEL.
- 3/4" C, 2 #10 & 1 #10 GND. TO TYPE "A" FIXTURES (NIGHT LIGHTS) ON THIRD LEVEL.
- 3/4" C, 2 #10 & 1 #10 GND. TO TYPE "A" FIXTURES (NIGHT LIGHTS) ON SECOND LEVEL.
- 3/4" C, 2 #10 & 1 #10 GND. TO TYPE "A" FIXTURES (NIGHT LIGHTS) ON LOWER LEVEL.
- 1" PVC C, 3 #8 & 1 #8 GND. TO TYPE "B" FIXTURES ON BUILDING EXTERIOR.
- 3/4" C, 2 #8 & 1 #10 GND. TO TYPE "C" FIXTURES ON UPPER DECK.
- 3/4" C, 2 #10 & 1 #10 GND. TO TYPE "A" FIXTURES (NORMAL LIGHTS) ON THIRD LEVEL.
- 3/4" C, 2 #10 & 1 #10 GND. TO TYPE "A" FIXTURES (NORMAL LIGHTS) ON SECOND LEVEL.
- 3/4" C, 2 #10 & 1 #10 GND. TO TYPE "A" FIXTURES (NORMAL LIGHTS) ON LOWER LEVEL.
- 3/4" C, 2 #10 & 1 #10 GND. TO TYPE "A" FIXTURES (DARK DAY OPERATION) ON THIRD LEVEL.
- 3/4" C, 2 #10 & 1 #10 GND. TO TYPE "A" FIXTURES (DARK DAY OPERATION) ON SECOND LEVEL.
- 3/4" C, 2 #10 & 1 #10 GND. TO TYPE "A" FIXTURES (DARK DAY OPERATION) ON LOWER LEVEL.
- NEMA 1, 30A, 3P. ELECTRICALLY OPERATED/ELECTRICALLY HELD LIGHTING CONTACTOR LOCATED IN 3RD. FLOOR ELECTRICAL ROOM.
- CONTACTOR IS TIMECLOCK CONTROLLED ONLY.
- CONTACTOR IS TIMECLOCK AND PHOTO-CELL CONTROLLED.
- CONTACTOR IS PHOTO-CELL CONTROLLED ONLY.
- CONTACTOR IS MANUALLY CONTROLLED.
- TIMECLOCK.
- PHOTO-CELL.
- TOGGLE SWITCH.
- HOMERUN TO PANELBOARD AS REQUIRED.
- 1 1/2" C, 4 #1.
- 1/2" C, WITH CONTROL WIRING AS REQUIRED.
- NEMA 1, MULTI-POLE ELECTRICALLY OPERATED/ELECTRICALLY HELD LIGHTING CONTACTOR LOCATED IN 3RD. FLOOR ELECTRICAL ROOM.
- PANELBOARD "PA", FOR ADDITIONAL INFORMATION REFER TO PANELBOARD SCHEDULE THIS DRAWING.
- SERVICE LATERAL 4" PVC CONDUIT WITH 4 #500 MCM.
- VERTICAL RUN OF THE SERVICE LATERAL, TO BE ENCASED IN CONCRETE.
- 2" C, 3 #2/0 & 1 #8 GND.
- NEMA 1, 200A, 3P. CIRCUIT BREAKER.
- WIREWAY SIZE AS REQUIRED.
- NEMA 1, 240V, 200A, 3P. FUSED DISCONNECT SWITCH WITH 175A. DUAL ELEMENT FUSES, FOR ELEVATOR HYDRAULIC UNIT. PROVIDED WITH SHUNT-TRIP DEVICE AND INTERFACED WITH THE FIRE ALARM SYSTEM AS REQUIRED. DISCONNECT SWITCH SIMILAR TO "BUSSMANN" POWER MODULE.
- FP&L PAD MOUNTED TRANSFORMER, COORDINATE ALL REQUIREMENTS WITH UTILITY COMPANY PRIOR TO START OF WORK.
- SURGE SUPPRESSOR, TYPE AS SPECIFIED.
- WALL MOUNTED UTILITY METER, COORDINATE EXACT REQUIREMENTS WITH FP&L PRIOR TO START OF WORK.
- NOT USED
- NOT USED
- PROVIDE A THREE POLE CIRCUIT BREAKER (150A) UNDER ALTERNATE NO.1 FOR THE SOLAR ARRAY.
- 3/4" PVC C, 2 #10 & 1 #10 GND. TO TYPE "A" FIXTURES ON BUILDING EXTERIOR (TRELIS LIGHTS).
- 2" C, 4 #2/0.

ACOB
Andrea Clark Brown + David Pootman Architects PA

+DPA

340 8th Street South Naples Florida 34102
t 239-263-3888 f 239-263-8025 AA2302

MILESTONES

ORIGIN	
D.D. 100%	
C.D. 100%	
BID	
PERMIT	
CONSTRUCTION	
REV CONST.	

REVISIONS

NO.	DESC.	DATE
1	ADDENDUM 1	2-6-08
2	ADDENDUM 2	2-15-08
3	OWNER CHANGES	4-3-08
4	GEN. REV.	5-15-08
5	CODE REVIEW	6-25-08

© Copyright 2007
Andrea Clark Brown + David Pootman Architects PA

These drawings and the contents herein are the sole property of Andrea Clark Brown + David Pootman Architects PA and no portion of any may be printed or copied without the express permission of this design office.

NAPLES PUBLIC PARKING FACILITY
6th Ave. So. & 8th St.
Naples Florida
34102

ELECTRICAL RISER DIAGRAMS AND SCHEDULES

SCALE: NONE
DRAWN BY: PED
PLOT DATE:
ISSUED: PERMIT-BID SET 1/8/08



E106

CONSTRUCTION AND PERMIT SET
4-3-08

\\tlc41\work\2007\Jobs\407105-Naples Parking Garage\CAD-MEP\Sheets E106.dwg 6/25/2008 11:40:50 AM winford.murshall

ELECTRICAL SYMBOL LEGEND

Ⓕ	SINGLE POLE SWITCH	□	FLUORESCENT CEILING MOUNTED (SURFACE OR RECESSED) FIXTURE.
Ⓕ _M	MANUAL MOTOR STARTER WITH OVERLOAD HEATERS	○	HID CEILING MOUNTED FIXTURE
Ⓕ	DUPLEX RECEPTACLE	○	INCANDESCENT OR FLUORESCENT WALL MOUNTED FIXTURE.
Ⓕ	DUPLEX (G.F.I.) RECEPTACLE	⊗	EXIT LIGHT FIXTURE (SHADED QUADRANT INDICATES FACE(S) OF FIXTURE)
Ⓕ	PHOTOCELL, MOUNTED ON ROOF FACING NORTH	□-□	EXTERIOR LIGHT FIXTURE WITH ARMS AS SHOWN ON DRAWINGS
Ⓕ	JUNCTION BOX	Ⓕ	BATTERY PACK WITH TWIN HEADS
—	BRANCH CIRCUIT CONDUIT CONCEALED ABOVE CEILING OR IN WALL CONDUIT SHALL INCLUDE PHASE, NEUTRAL AND GROUND CONDUCTORS AS REQUIRED FOR CIRCUITS (UNLESS OTHERWISE NOTED).	Ⓕ	MANUAL PULL STATION
—	BRANCH CIRCUIT CONDUIT CONCEALED.	Ⓕ	CEILING SMOKE DETECTOR, PHOTO-ELECTRIC TYPE UNLESS OTHERWISE NOTED E = ELEVATOR I = IONIZATION
Ⓕ	GROUND OR GROUND ROD AS NOTED	Ⓕ	DUCT SMOKE DETECTOR R = RETURN S = SUPPLY
—	CONDUIT TURNING UP	Ⓕ	COMBINATION AUDIBLE/VISUAL SIGNALING UNIT - HORN/FLASHING "FIRE" LIGHT
—	CONDUIT TURNING DOWN	Ⓕ	SPRINKLER TAMPER SWITCH CONNECTION
~	FLEXIBLE CONDUIT	Ⓕ	SPRINKLER WATERFLOW SWITCH CONNECTION
Ⓕ	MOTOR CONNECTION, NUMBER DENOTES HORSEPOWER	Ⓕ	CEILING HEAT DETECTOR, 135° UNLESS OTHERWISE INDICATED
Ⓕ	DISCONNECT SWITCH, SIZE AS NOTED	Ⓕ	WP WEATHERPROOF
—	BRANCH CIRCUIT PANELBOARD	Ⓕ	AFF ABOVE FINISHED FLOOR

GENERAL NOTES

- LIGHT SWITCHES SHALL BE MOUNTED 48 INCHES ABOVE FINISHED FLOOR TO CENTER LINE OF DEVICE, UNLESS OTHERWISE NOTED.
- RECEPTACLES SHALL BE LOCATED 18 INCHES ABOVE FINISHED FLOOR TO CENTER LINE OF DEVICE, UNLESS OTHERWISE NOTED.
- EQUIPMENT SHALL BE OF MATERIALS SUITABLE FOR AND NEMA RATED FOR THE ENVIRONMENT IN WHICH THEY ARE TO BE INSTALLED.
- WORKING CLEARANCES FOR ELECTRICAL EQUIPMENT SHALL BE IN COMPLIANCE WITH NEC 110.
 - THE EXCLUSIVELY DEDICATED SPACE EXTENDING FROM FLOOR TO STRUCTURAL CEILING WITH A WIDTH AND DEPTH OF THE PANELBOARD OR SWITCHBOARD MUST BE CLEAR OF ALL PIPING, DUCTS, EQUIPMENT FOREIGN TO THE ELECTRICAL EQUIPMENT OR ARCHITECTURAL APPURTENANCES IN ACCORDANCE WITH NEC 384.

LIGHTING FIXTURE SCHEDULE

TYPE	DESCRIPTION	MANUFACTURER AND CATALOG NUMBER	VOLTAGE	LAMPS	REMARKS
A	SURFACE MOUNTED HID PARKING GARAGE FIXTURE, WITH DIE-CAST ALUMINUM HOUSING AND BRONZE POWDER COAT FINISH. ALSO, PROVIDED WITH PRISMATIC ACRYLIC DIFFUSER.	G.E. LUMARK DAYBRITE GGDC17MXXH4E5A MHE-5A-175H-MT-LL LLB-175-M-MT-PC12	208	175W M.H.	
B	WALL MOUNTED STREET HID LIGHTING FIXTURE FURNISHED BY THE CITY OF NAPLES.	N/A	208	WITH FIXTURE	FIXTURE TO BE WALL MOUNTED AT SAME ELEVATION AS SAME FIXTURES AT NAPLES PLAYERS THEATER
C	ADJUSTABLE ACCENT LANDSCAPE INCANDESCENT FLOOD LIGHT, ONE PIECE DIE CAST ALUMINUM HOUSING, TEMPERED GLASS LENS AND BLACK POWDER COAT FINISH.	KIM LUMIERE DAYBRITE EL205 811 QFS-75	120	75W QUARTZ PAR OR MINI CAN	CONTRACTOR TO AIM FIXTURES AT NIGHT IN THE PRESENCE OF THE ARCHITECT. DIRECT BURIED BOX, FOR SUPPORT OF FIXTURE, PROVIDED BY THE ELECTRICAL CONTRACTOR.
D	INCANDESCENT WALL MOUNTED LIGHTING FIXTURE WITH: CAST ALUMINUM HOUSING, CLEAR LEXAN OR TEMPERED GLASS GLOBE AND CAST ALUMINUM GUARD.	G.E. R-A-L DAYBRITE H7XX VPW 100 0675 VIS-100-1-12-W-G	120	100W A19	MOUNTED 7'-0" AFF UNLESS OTHERWISE NOTED.
E	DIE CAST ALUMINUM EXIT SIGN WITH INTEGRAL BATTERY AND L.E.D. ILLUMINATED "EXIT" FACE.	PRESCOLITE PATHWAY LIGHTING DAYBRITE LEDRX NBW LDEXCR CFB	120	L.E.D.	
E1	CEILING MOUNTED TOTALLY ENCLOSED TWIN LAMP EMERGENCY BATTERY UNIT, LAMP ENCLOSED WITH A FLAME RATED - UV STABLE - ABS THERMOPLASTIC HOUSING.	PRESCOLITE CHLORIDE EMAX LSPN-W-0-1/2-WR	120	INTEGRAL TO FIXTURE	
F	BI-DIRECTIONAL LOW VOLTAGE INCANDESCENT PLANTER LIGHTING FIXTURE, WITH ALUMINUM HOUSING, GASKETED TEMPERED GLASS LENS AND BLACK POWDER COAT FINISH.	KIM LUMIERE BK LIGHTING KLV-205 203-1 LS-17-B2W-7-9	120	MR16 42W EYP	CONTRACTOR TO AIM FIXTURES AT NIGHT IN THE PRESENCE OF THE ARCHITECT. DIRECT BURIED BOX, FOR SUPPORT OF FIXTURE, PROVIDED BY THE ELECTRICAL CONTRACTOR.
G	TWIN POLE MOUNTED FULL CUT-OFF HID LIGHTING FIXTURE POLE NOT PROVIDED WITH THIS FIXTURE, SEE REMARKS. WITH ONE PIECE DIE FORMED ALUMINUM HOUSING AND BLACK POWDER COAT FINISH.	SPAULDING CEI-IV-4400-BLACK-208V/PLATE ADAPTER MG GRAW EDISON ENCO GMA 40 129 AS MA 1005 ECA181-3H-400MH-208-BRP	208	400W M.H.	FIXTURES MOUNTED ON ARCHITECTURALLY DETAILED POLE MAST, REFER TO ARCHITECTURAL DRAWINGS FOR DETAILS. PROVIDE MOUNTING ARM AS REQUIRED TO ACCOMMODATE SAID DETAIL. TWO (2) FIXTURES REQUIRED AT EACH POLE.
H	TWIN BI-DIRECTIONAL LOW VOLTAGE INCANDESCENT BUILDING FACADE LIGHTING FIXTURE, WITH ALUMINUM HOUSING, GASKETED TEMPERED GLASS LENS AND BLACK POWDER COAT FINISH. (BASICALLY TWO (2) TYPE "H1" FIXTURES WITH ONE MOUNTING BOX MAKE-UP FIXTURE TYPE "H").	KIM LUMIERE BK LIGHTING KLV 205 203 LSII-17-B2W-7-9	120	MR16 42W EYP	CONTRACTOR TO AIM FIXTURES AT NIGHT IN THE PRESENCE OF THE ARCHITECT. FIXTURES MOUNTED ON 6" x 6" DIE CAST ALUMINUM BOX, BOX MOUNTING AS DETAILED ON THE ARCHITECTURAL DRAWINGS.
H1	SINGLE BI-DIRECTIONAL LOW VOLTAGE INCANDESCENT BUILDING FACADE LIGHTING FIXTURE, WITH ALUMINUM HOUSING, GASKETED TEMPERED GLASS LENS AND BLACK POWDER COAT FINISH. (BASICALLY TWO (2) TYPE "H1" FIXTURES WITH ONE MOUNTING BOX MAKE-UP FIXTURE TYPE "H").	KIM LUMIERE BK LIGHTING KLV 205 203 LSII-17-B2W-7-9	120	MR16 42W EYP	CONTRACTOR TO AIM FIXTURES AT NIGHT IN THE PRESENCE OF THE ARCHITECT. FIXTURE MOUNTED ON 6" x 6" DIE CAST ALUMINUM BOX, BOX MOUNTING AS DETAILED ON THE ARCHITECTURAL DRAWINGS.
J	WALL MOUNTED COMPACT FLUORESCENT LIGHTING FIXTURE WITH ONE PIECE DIE CAST ALUMINUM HOUSING-EYE LID AND GUARD. PROVIDED WITH BLACK POWDER COAT OR BAKED ENAMEL FINISHED.	LBL EL CAST DM LIGHTING 5207/H5/321 400-2-1/26PL1-120-MB 4052WAMH120V	120	22 OR 26W PLC	MOUNTED 7'-0" AFF
K	SURFACE MOUNTED TWO LAMP FLUORESCENT FIXTURE WITH 1" DEEP DIE FORMED ALUMINUM BAFFLE. PROVIDED WITH WHITE POWDER COAT FINISH.	COLUMBIA METALUX PRUDENTIAL S6 11 00-WHITE BAFFLE-421-EB8 P68-D-232-TBW-120-EB81 P6001M120ACTBLAGE120	120	2-32W TB	THIS "K" FIXTURE REQUIRED UNDER BASE BUILDING CONTRACT.
K	RECESSED TWO LAMP FLUORESCENT FIXTURE WITH 1" DEEP DIE FORMED ALUMINUM BAFFLE.	COLUMBIA METALUX PRUDENTIAL EQUAL P30AXX-232W18-EB81 P6320ACT BLASWX 1120	120	2-32W TB	THIS "K" FIXTURE REQUIRED UNDER BID ALTERNATE No. 1 IN LIEU OF THAT SHOWN ABOVE.

DRAWING INDEX

- E-0.1 ELECTRICAL LEGEND, NOTES & SCHEDULES
- E-1.1 ELECTRICAL DIAGRAMS & SCHEDULES
- E-2.1 GROUND & SECOND TIER ELECTRICAL PLANS
- E-2.2 THIRD & TOP TIER ELECTRICAL PLANS
- E-3.1 ELECTRICAL PART PLANS AND DETAILS

L:\97-050\ E01.DWG 03/09/98 08:43 ihp

ELECTRICAL LEDGEN, NOTES, & FIXTURE SCHEUDULE

SCALE: N.T.S.

Handwritten signature and date: R. J. ... 5/14/98

TLC Tilden Lobnitz Cooper
 Engineering for Architecture
 1800 Stadium Boulevard, Suite 202
 Ft. Myers, Florida 33907 (407) 276-4100
 Orlando • Ft. Myers • Palm Bay • Ft. Lauderdale • Cocoa • DATE

JOB NO.	97-050
CAD FILE	E01
SCALE	1/8"=1'-0"
DATE	

ANDREA CLARK BROWN ARCHITECTS

AA2302

6 1 6
 5TH AVENUE, SO.
 NAPLES, FLORIDA
 3 4 1 0 2

TEL: 941-263-3898
 FAX: 941-263-6025

SUBMITTALS

ORIGIN	DATE
FOR BID	09 MAR. 98

REVISIONS

NO.	DESC.	DATE

PUBLIC PARKING FACILITY

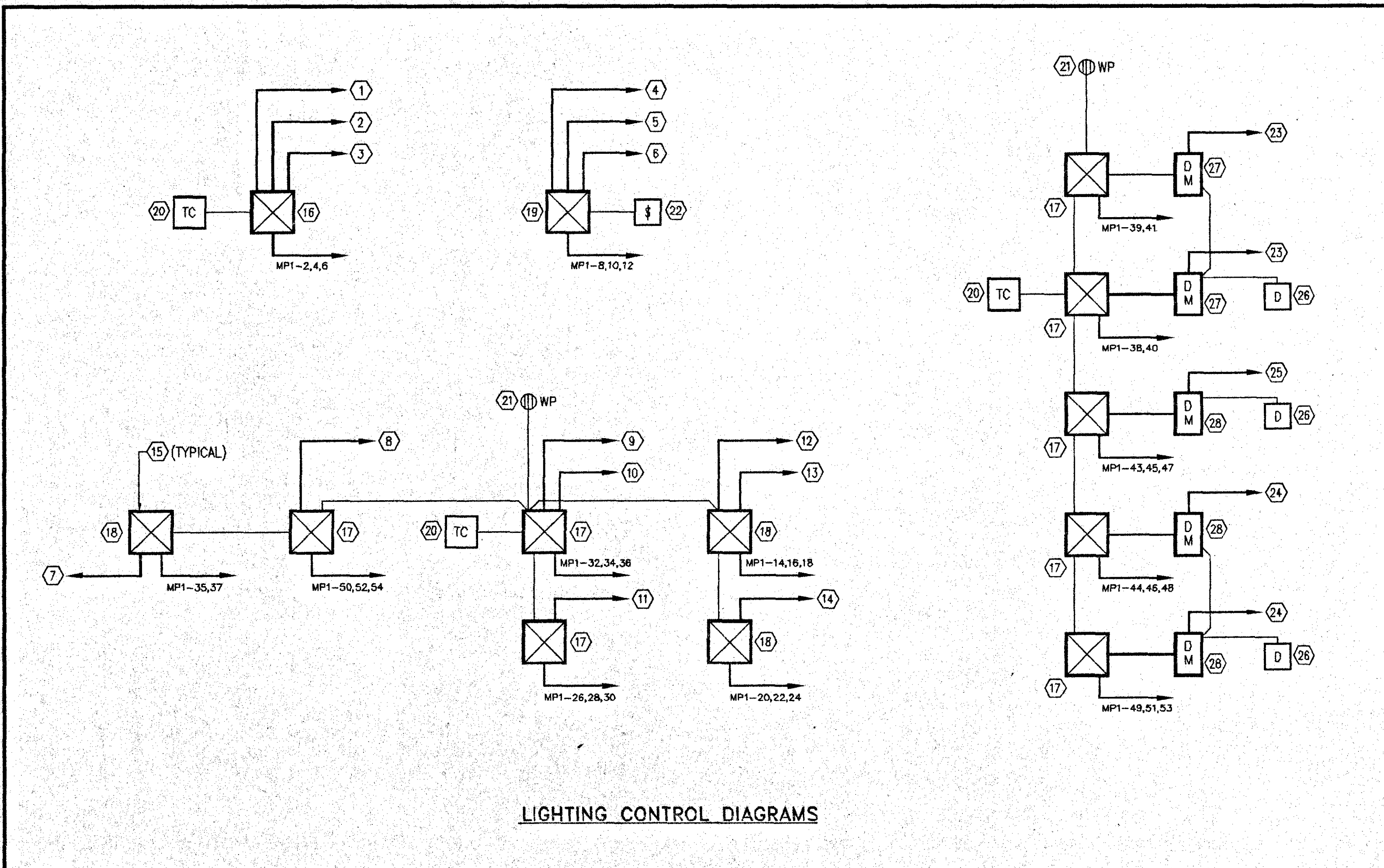
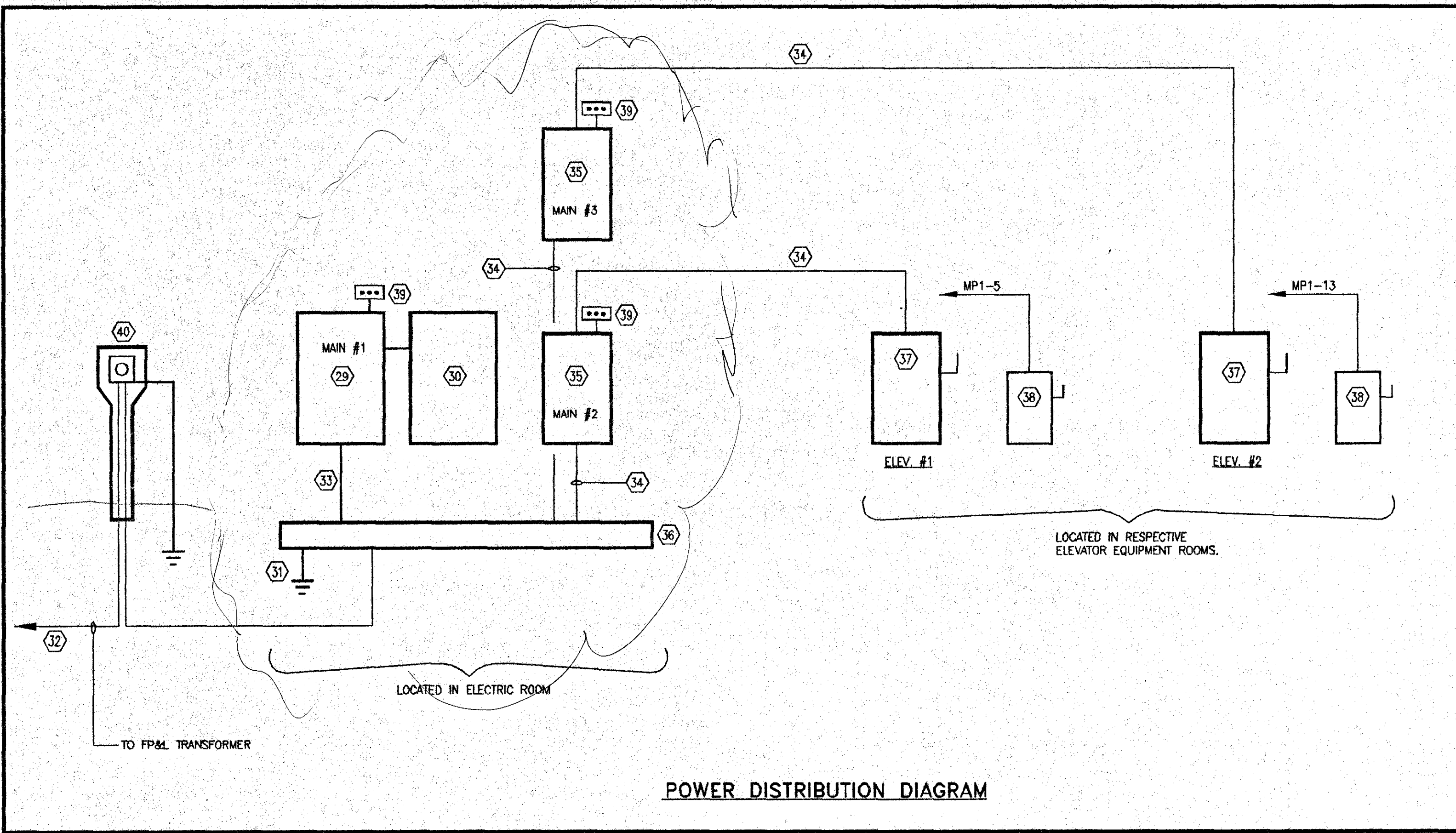
4th Ave S. & 8th St.
 NAPLES - FLORIDA
 3 4 1 0 2

ELECTRICAL LEGEND, NOTES & SCHEDULES

SCALE: 1/8" = 1'-0"
 DRAWN BY: RJP
 PLOT DATE:
 ISSUED:

E-0.1

CONSTRUCTION DOCUMENT
 PHASE



- KEYNOTES
- 3/4" C., 3 #8 & 1 #10 GND. TO TYPE "A" FIXTURES (OPEN HOUR OPERATION) ON THIRD LEVEL.
 - 3/4" C., 3 #8 & 1 #10 GND. TO TYPE "A" FIXTURES (OPEN HOUR OPERATION) ON SECOND LEVEL.
 - 3/4" C., 3 #8 & 1 #10 GND. TO TYPE "A" FIXTURES (OPEN HOUR OPERATION) ON GROUND LEVEL.
 - 3/4" C., 3 #8 & 1 #10 GND. TO TYPE "A" FIXTURES (NIGHT LIGHTS) ON THIRD LEVEL.
 - 3/4" C., 3 #8 & 1 #10 GND. TO TYPE "A" FIXTURES (NIGHT LIGHTS) ON SECOND LEVEL.
 - 3/4" C., 3 #8 & 1 #10 GND. TO TYPE "A" FIXTURES (NIGHT LIGHTS) ON GROUND LEVEL.
 - 1" PVC C., 2 #8 & 1 #10 GND. TO TYPE "B" FIXTURES ON BUILDING EXTERIOR.
 - 3/4" C., 3 #8 & 1 #10 GND. TO TYPE "G" FIXTURES ON UPPER DECK.
 - 3/4" C., 3 #8 & 1 #10 GND. TO TYPE "A" FIXTURES (NORMAL LIGHTS) ON THIRD LEVEL.
 - 3/4" C., 3 #8 & 1 #10 GND. TO TYPE "A" FIXTURES (NORMAL LIGHTS) ON SECOND LEVEL.
 - 3/4" C., 3 #8 & 1 #10 GND. TO TYPE "A" FIXTURES (NORMAL LIGHTS) ON GROUND LEVEL.
 - 3/4" C., 3 #8 & 1 #10 GND. TO TYPE "A" FIXTURES (DARK DAY OPERATION) ON THIRD LEVEL.
 - 3/4" C., 3 #8 & 1 #10 GND. TO TYPE "A" FIXTURES (DARK DAY OPERATION) ON SECOND LEVEL.
 - 3/4" C., 3 #8 & 1 #10 GND. TO TYPE "A" FIXTURES (DARK DAY OPERATION) ON GROUND LEVEL.
 - NEMA 1, 30A, 3P. LIGHTING CONTACTOR WITH 120V. OPERATING COIL.
 - CONTACTOR IS TIMECLOCK CONTROLLED ONLY.
 - CONTACTOR IS TIMECLOCK AND PHOTO-CELL CONTROLLED.
 - CONTACTOR IS PHOTO-CELL CONTROLLED ONLY.
 - CONTACTOR IS MANUALLY CONTROLLED.
 - TIMECLOCK
 - PHOTO-CELL
 - TOGGLE SWITCH.
 - 1" PVC C., 2 #8 & 1 #10 GND. TO TYPE "C" FIXTURES ON BUILDING EXTERIOR.
 - 3/4" C., 4 #8 & 1 #10 GND. TO TYPE "T" FIXTURES IN PLANTERS.
 - 3/4" C., 4 #8 & 1 #10 GND. TO TYPE "H" & "H1" FIXTURES ON EXTERIOR OF THE BUILDING.
 - STANDARD 600W., 1P. INCANDESCENT DIMMER SWITCH.
 - TWO (2) CIRCUIT DIMMING MODULE AS MANUFACTURER BY LUTRON CAT. #HP-4.
 - THREE (3) CIRCUIT DIMMING MODULE AS MANUFACTURED BY LUTRON CAT. #HP-6.
 - SERVICE PANELBOARD "MPI" (SECTION #1), FOR ADDITIONAL INFORMATION REFER TO PANELBOARD SCHEDULE THIS DRAWING.
 - PANELBOARD "MPI" (SECTION #2).
 - GROUNDING ELECTRODE SIZE AS REQUIRED BY N.E.C. AND AS DETAILED IN THIS SET OF DOCUMENTS.
 - SERVICE LATERAL, 4" PVC CONDUIT WITH 4 #500MCM.
 - 3" C., 4 #350MCM & 1 #4 GND.
 - 2" C., 3 #2/0 & 1 #6 GND.
 - NEMA 1, 175A, 3P. CIRCUIT BREAKER WITH SHUNT-TRIP DEVICE.
 - WIREWAY SIZE AS REQUIRED.
 - NEMA 1, 240V., 200A., 3P. FUSED DISCONNECT SWITCH WITH 110A. DUAL ELEMENT FUSES, FOR ELEVATOR HYDRAULIC UNIT.
 - NEMA 1, 30A., 1P. DISCONNECT SWITCH, FOR ELEVATOR CAB LIGHTING.
 - SURGE SUPPRESSOR, TYPE AS SPECIFIED.
 - UTILITY METER, PEDISTAL AND GROUNDING AS REQUIRED BY FP&L.

PANEL: "MPI" (SEE NOTE #1)

PANEL VOLTAGE: 120/208V, 3PH, 4W
M.C.B. : 300A
M.L.O. : N/A

BUS RATINGS: 400A
LOCATION: ELECTRIC ROOM

AC RATING: 22,000
MOUNTING: SURFACE

DXT NO.	IDENTIFICATION	LOAD/ PHASE (KVA)			CIRCUIT BREAKER			LOAD/ PHASE (KVA)			IDENTIFICATION	DXT NO.	
		"A"	"B"	"C"	TRIP	POLES	TRIP	"A"	"B"	"C"			
1	WEST CORE LIGHTING	.7			20	1	3	20	1.53			PARKING AREA OPEN HOURS LIGHTING	2
3	WEST CORE RECEPTACLES		.72		20	1	3	20	1.53			PARKING AREA OPEN HOURS LIGHTING	4
5	WEST ELEVATOR CAB LIGHTING				20	1	3	20	1.53			PARKING AREA OPEN HOURS LIGHTING	6
7	WEST ELEVATOR PIT LIGHTING & RECEPT.	.28			20	1	3	20	1.42			PARKING AREA NIGHT LIGHTING	8
9	EAST CORE LIGHTING		.7		20	1	3	20	1.53			PARKING AREA NIGHT LIGHTING	10
11	EAST CORE RECEPTACLES		.72		20	1	3	20	1.53			PARKING AREA NIGHT LIGHTING	12
13	EAST ELEVATOR CAB LIGHTING	.3			20	1	3	20	1.1			PARKING AREA DARK DAY LIGHTING	14
15	EAST ELEVATOR PIT LIGHTING & RECEPT.	.28			20	1	3	20	1.2			PARKING AREA DARK DAY LIGHTING	16
17	ELEC RM & RETENTION AREA LIGHT/RECEPT.			1.28	20	1	3	20	1.2			PARKING AREA DARK DAY LIGHTING	18
19	RTH-1	4.67			60	3	3	20	.65			PARKING AREA DARK DAY LIGHTING	20
21	---		4.67						.65			---	22
23	---			4.67					.65			---	24
25	RTH-2	4.67			60	3	3	20	.87			PARKING AREA NORMAL LIGHTING	26
27	---		4.67						.87			---	28
29	---			4.67					.87			---	30
31	FIRE ALARM SYSTEM	1.0			20	1	3	20	1.53			PARKING AREA NORMAL LIGHTING	32
33	COMMUNICATIONS RECEPTACLE		.18		20	1	3	20	1.64			PARKING AREA NORMAL LIGHTING	34
35	EXTERIOR LIGHTING			.50	20	2	3	20	1.42			PARKING AREA NORMAL LIGHTING	36
37	---	.50				1	20	1.2				---	38
39	LANDSCAPE LIGHTING		1.2		20	1	20	1.2				LANDSCAPE LIGHTING	40
41	LANDSCAPE LIGHTING		1.2		20	1	1	20				LANDSCAPE LIGHTING	42
43	PLANTER LIGHTING	1.15			20	1	1	20	1.2			PLANTER LIGHTING	44
45	PLANTER LIGHTING		1.15		20	1	1	20	1.2			PLANTER LIGHTING	46
47	PLANTER LIGHTING			1.3	20	1	1	20	1.2			PLANTER LIGHTING	48
49	PLANTER LIGHTING	1.2			20	1	3	20	1.5			DECK LIGHTING	50
51	PLANTER LIGHTING		1.2		20	1	3	20	1.5			DECK LIGHTING	52
53	PLANTER LIGHTING			1.2	20	1	3	20	1.25			DECK LIGHTING	54
55	SPARE				20	1	1	20				SPARE	56
57	SPARE				20	1	1	20				SPARE	58
59	SPARE				20	1	1	20				SPARE	60
TOTALS:		14.5	14.8	15.8					11.0	11.3	9.5		
TOTAL KVA PHASE A:		25.5			MAX. CONN. PHASE KVA:			26.1					
TOTAL KVA PHASE B:		26.1			TOTAL CONNECTED KVA:			76.9					
TOTAL KVA PHASE C:		25.3			TOTAL DEMAND KVA:			72.4					
					TOTAL DEMAND AMPS:			201A					

- NOTES:
- DOUBLE THIS PANEL WITH THIRTY POLES PER SECTION. PANEL SHALL BE SERVICE RATED.
 - SERVICES (1" C., 3 #8 & 1 #8 GND.) FOR ROOF-TOP UNITS SHALL ONLY BE PROVIDED UNDER BID ALTERNATE No. 1.
 - ALL OTHER WIRING AS SPECIFIED OR AS INDICATED ON THE FLOOR PLANS.

ELECTRICAL LOAD SUMMARY

LOAD DESCRIPTION	CONN. KVA	DEM. KVA
LIGHTING	44.46	44.46
* AIR CONDITIONING	28.02	28.02
GENERAL POWER	4.42	2.50
ELEVATORS (2 @ 30HP)	63.36	63.36
TOTALS	140.26	138.34

DIVERSITY FACTOR .9 x 138.34 = 124.5 TOTAL DEMAND

CONTINUOUS LOAD (72.48) x 1.25 = 90.6

NON-CONTINUOUS LOAD (52.02) = 52.0

TOTAL 1328.5

142.6 + 208V. x √3 = 398A. (400A SERVICE)

* PROVIDE AS PART OF BID ALTERNATE No. 1.

ANDREA CLARK BROWN ARCHITECTS

AA2302

6 1 6
5TH AVENUE SO.
NAPLES, FLORIDA
3 4 1 0 2

TEL: 941-263-3898
FAX: 941-263-6025

SUBMITTALS

ORIGIN

FOR BIC 09 MAR 98

REVISIONS

NO.	DESC.	DATE

PUBLIC PARKING FACILITY

4th Ave S. & 8th St.
NAPLES - FLORIDA
3 4 1 0 2

ELECTRICAL DIAGRAMS

SCALE: 1/8" = 1'-0"

DRAWN BY: IKP

PLOT DATE:

ISSUED: 09 MAR 98

E-1.1

CONSTRUCTION DOCUMENT
PHASE

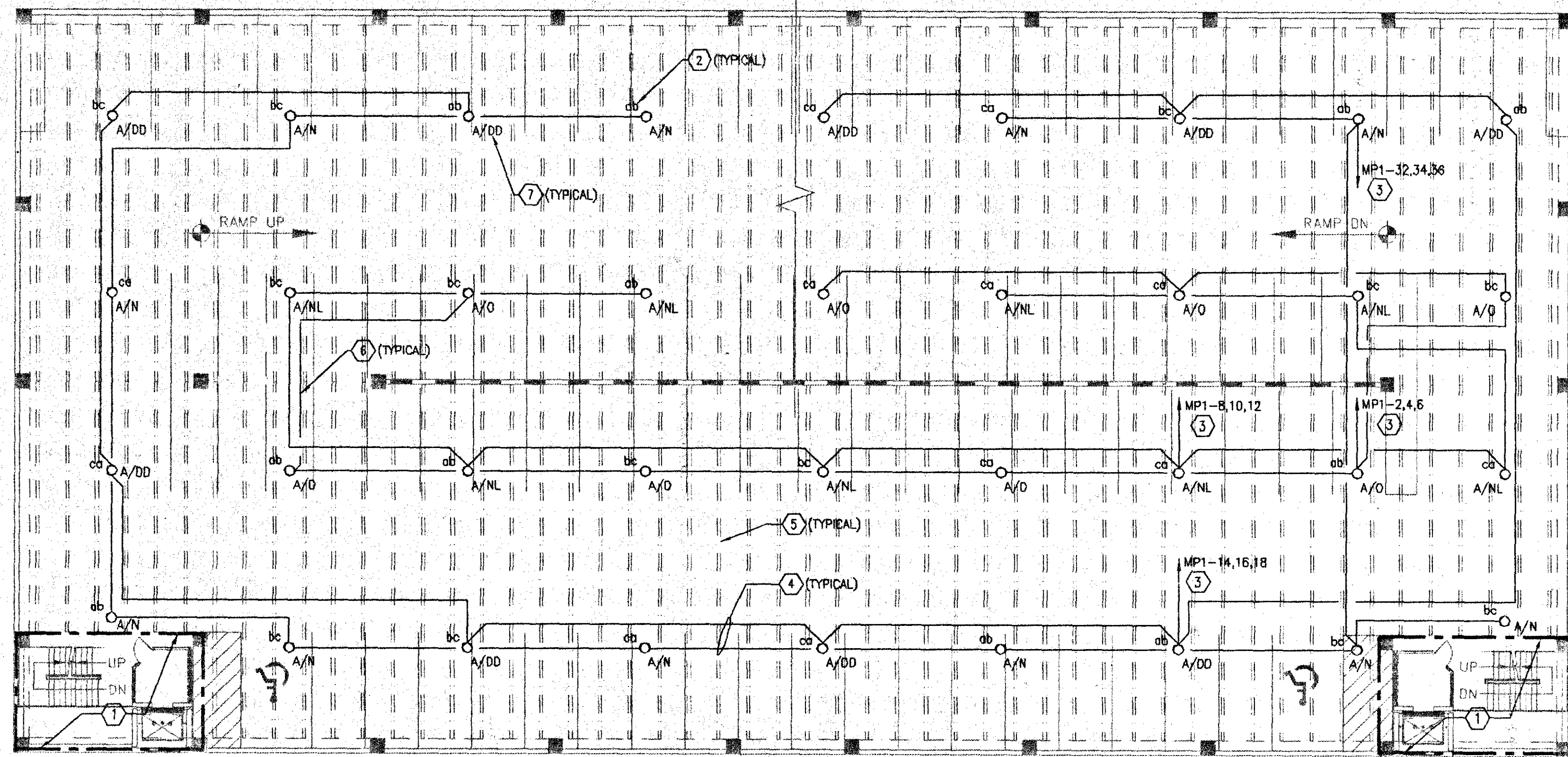
L:\97-050\ E11.DWG 03/09/98 08:39 ikp

RTK
5/19/98

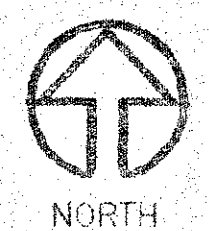
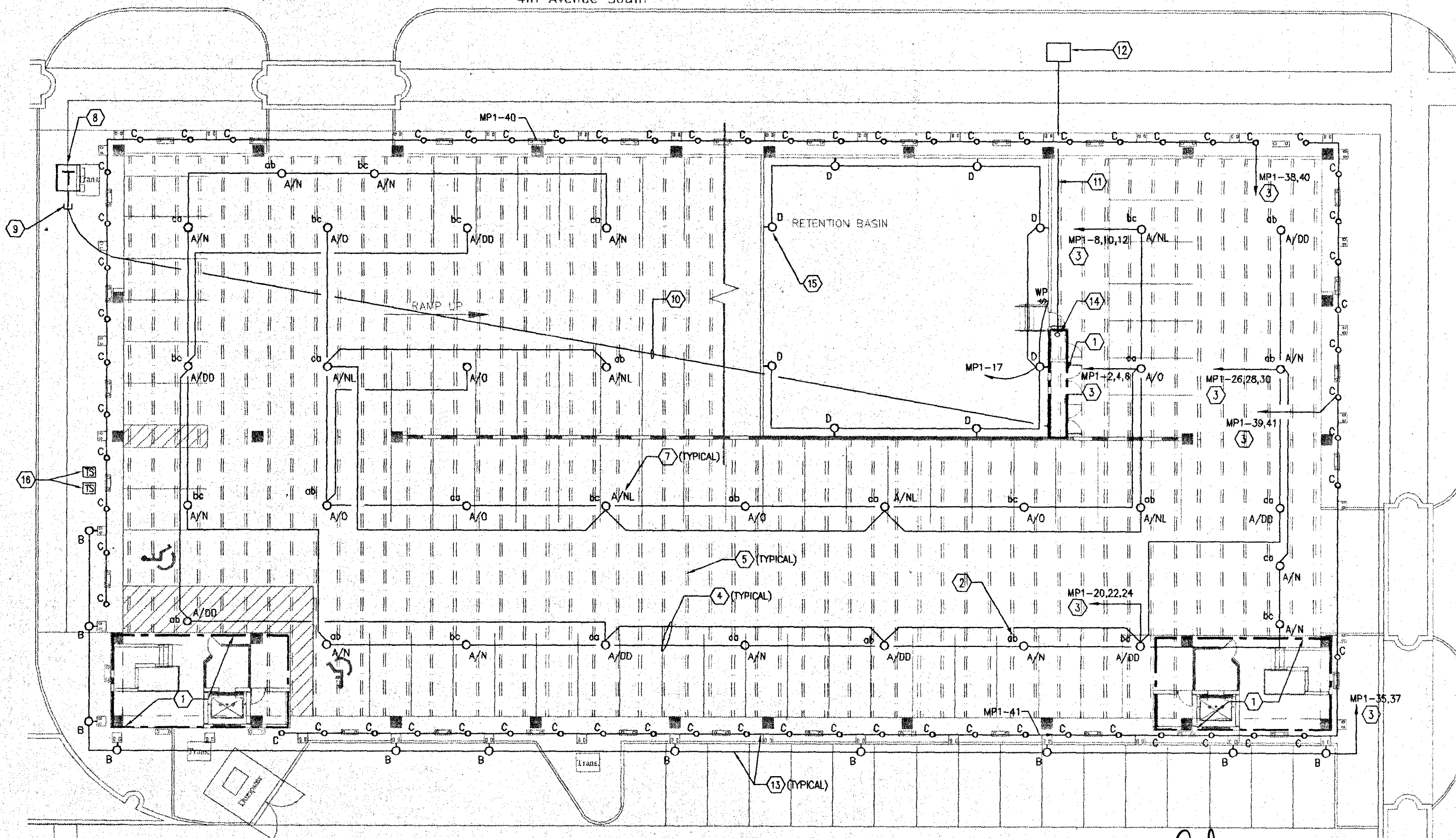
TLC Tilden Lobnitz Cooper
Engineering & Architecture
1000 University Parkway, Suite 200
Naples, Florida 34102 (813) 295-4500
F. Orlando • Ft. Myers • Tallahassee • Ft. Lauderdale • Ocala

JOB NO. L: 97-050
CAD FILE: E11
SCALE: 1/8" = 1'-0"
DATE: 2/8/98

- KEYNOTES**
- FOR WORK IN THIS AREA, SEE PART PLAN ON DRAWING E-3.1.
 - SMALL LETTERS DENOTE SINGLE PHASE CONNECTION, TO FIXTURE, FROM A THREE PHASE CIRCUIT.
 - HOMERUN TO PANELBOARD RUN VIA LIGHTING CONTACTOR. FOR ADDITIONAL INFORMATION REFER TO DRAWING E-1.1.
 - CONDUIT FOR PARKING AREA LIGHTING SHALL BE 3/4" RIGID STEEL GALVANIZED (RSG) SURFACE MOUNTED. COORDINATE ROUTING THROUGH "DOUBLE TEES" WITH SLEEVES SHOWN BY THE STRUCTURAL ENGINEER.
 - DOTTED LINES DENOTE ONE EDGE OF STRUCTURAL "DOUBLE TEES", SHOWN FOR INFORMATION ONLY.
 - CONDUIT (RSG) THAT RUNS PARALLEL TO THE STRUCTURAL "DOUBLE TEES" SHALL BE SURFACE MOUNTED ON UNDERSIDE OF DECK.
 - LETTERING DENOTES FIXTURE TYPE "A" AND ;
 NL - NIGHTLIGHT
 N - NORMAL OPERATION
 DD - DARK DAY OPERATION
 O - OPEN HOURS OPERATION
 - FP&L PAD MOUNTED TRANSFORMER.
 - 4" CONDUIT STUB-OUT PROVIDED UNDER ANOTHER CONTRACT.
 - UNDERGROUND (4" PVC 24" MINIMUM BELOW FINISHED GRADE) SERVICE LATERAL, FOR ADDITIONAL INFORMATION REFER TO DRAWING E-1.1.
 - UNDERGROUND (2" PVC 24" MINIMUM BELOW FINISHED GRADE) TELEPHONE SYSTEM CONDUIT.
 - TELEPHONE SYSTEM PROPERTY LINE BOX, COORDINATE EXACT LOCATION AND REQUIREMENTS WITH UNITED TELEPHONE COMPANY.
 - CONDUIT FOR THE TYPE "B" AND "C" FIXTURES SHALL BE DIRECT BURIED PVC CONDUIT (24" MINIMUM BELOW GRADE.)
 - TELEPHONE CONDUIT SHALL BE TERMINATED 6" A.F.F. WITH INSULATING BUSHING.
 - TYPE "D" LIGHTING FIXTURES LOCATED IN THE RETENTION BASIN AREA SHALL BE MOUNTED 8'-0" ABOVE FINISHED GRADE.
 - TAMPER SWITCHES ON DOUBLE CHECK VALVE ASSEMBLY, COORDINATE WITH CIVIL FOR EXACT LOCATION AND REQUIREMENTS.



ELECTRICAL SECOND TIER PLAN
SCALE: 1/16"=1'-0"



ELECTRICAL GROUND FLOOR PLAN
SCALE: 1/16"=1'-0"

Handwritten signature and date: [Signature] 5/19/98

TLC Tilden Lobnitz Cooper
 Engineering for Architecture
 4401 Colonial Boulevard, Suite 200
 Ft. Myers, Florida 33907 (813) 875-0500
 Folsom • Ft. Myers • Tallahassee • Ft. Lauderdale • Ocala

ANDREA CLARK BROWN ARCHITECTS

AA2302

6 1 6
 5TH AVENUE SO.
 NAPLES, FLORIDA
 3 4 1 0 2

TEL: 941-263-3898
 FAX: 941-263-6025

SUBMITTALS

ORIGIN	
FOR BID	09 MAR 98

REVISIONS

NO.	DESC.	DATE

PUBLIC PARKING FACILITY
 4th Ave S. & 8th St.
 NAPLES - FLORIDA
 3 4 1 0 2

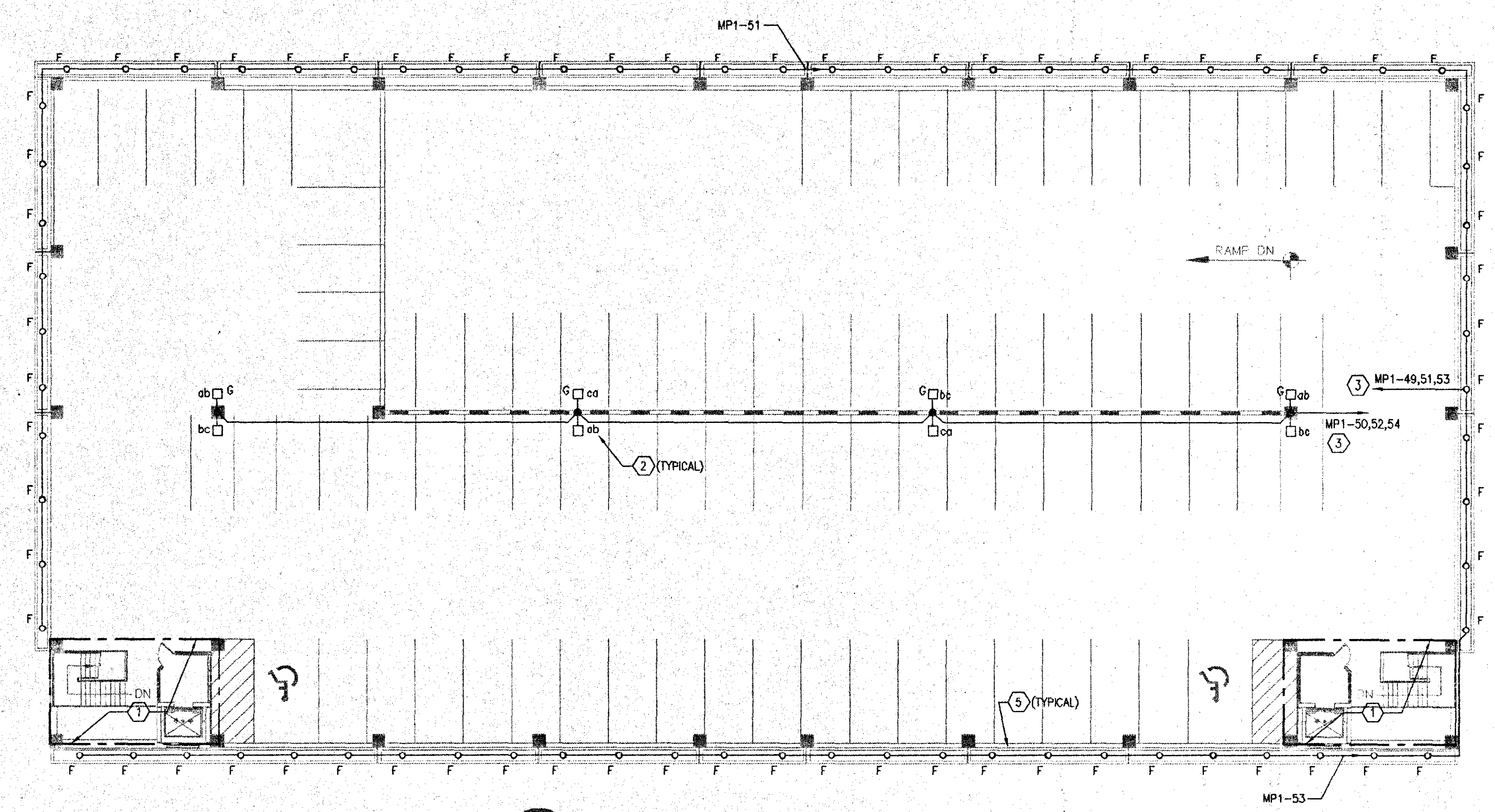
ELECTRICAL GROUND & TYPICAL LEVEL PLAN
 SCALE: 1/16"=1'-0"
 DRAWN BY: MKP
 PLOT DATE:
 ISSUED: 09 MAR 98

E-2.1

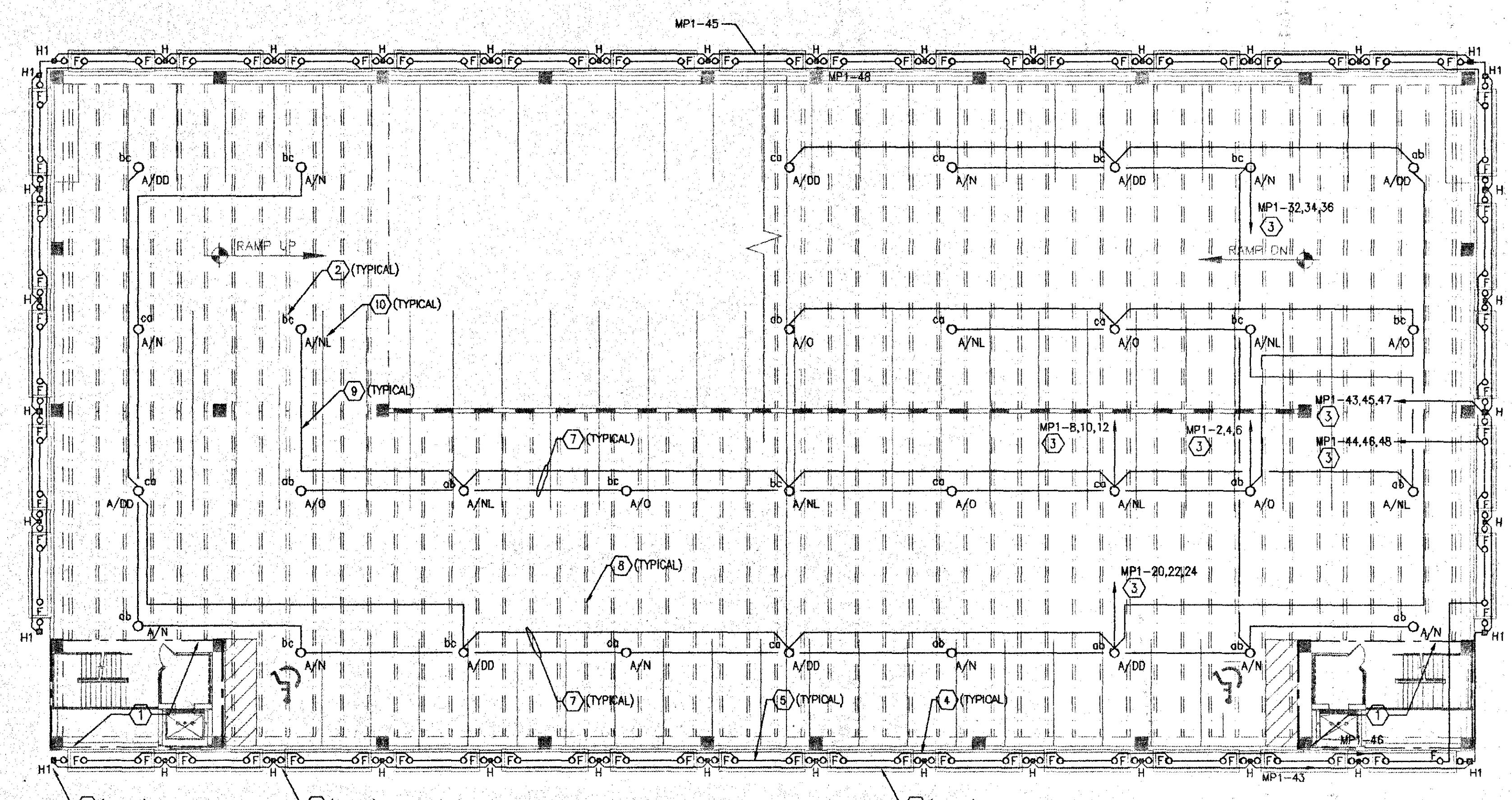
CONSTRUCTION DOCUMENT
 PHASE

L:\97-050\ E21.DWG 03/06/98 11:51 Rkp

- KEYNOTES**
- FOR WORK IN THIS AREA, SEE PART PLAN ON DRAWING E-3.1.
 - SMALL LETTERS DENOTE SINGLE PHASE CONNECTION, TO FIXTURE, FROM A THREE PHASE CIRCUIT.
 - HOMERUN TO PANELBOARD RUN VIA LIGHTING CONTACTOR. FOR ADDITIONAL INFORMATION REFER TO DRAWING E-1.1.
 - FOR CONDUIT ROUTING BETWEEN PLANTERS, REFER TO ARCHITECTURAL DETAILS.
 - CONDUIT IN THE PLANTER TO BE PVC DIRECT BURIED IN PLANTER SOIL.
 - REFER TO ARCHITECTURAL DETAILS FOR MOUNTING REQUIREMENTS OF THE TYPE "H" AND "H1" LIGHTING FIXTURES.
 - CONDUIT FOR PARKING AREA LIGHTING SHALL BE 3/4" RIGID STEEL GALVANIZED (RSG) SURFACE MOUNTED. COORDINATE ROUTING THROUGH "DOUBLE TEES" WITH SLEEVES SHOWN BY THE STRUCTURAL ENGINEER.
 - DOTTED LINES DENOTE ONE EDGE OF STRUCTURAL "DOUBLE TEE", SHOWN FOR INFORMATION ONLY.
 - CONDUIT (RSG) THAT RUNS PARALLEL TO THE STRUCTURAL "DOUBLE TEES" SHALL BE SURFACE MOUNTED ON UNDERSIDE OF DESK.
 - LETTERING DENOTES FIXTURE TYPE "A" AND :
 NL - NIGHTLIGHT
 N - NORMAL OPERATION
 DD - DARK DAY OPERATION
 O - OPEN HOURS OPERATION



ELECTRICAL TOP TIER PLAN
 SCALE: 1/16"=1'-0"
 NORTH



ELECTRICAL THIRD TIER PLAN
 SCALE: 1/16"=1'-0"
 NORTH

Handwritten signature and date: R. J. [unclear] 3/19/98

ANDREA CLARK BROWN ARCHITECTS

AA2302

6 1 6
 5TH AVENUE SO.
 NAPLES, FLORIDA
 3 4 1 0 2
 TEL: 941-263-3998
 FAX: 941-263-6025

SUBMITTALS
 OFFICE: _____
 FOR BID: 09 MAR 98

REVISIONS

NO.	DESC.	DATE

PUBLIC PARKING FACILITY
 4th Ave S. & 8th St.
 NAPLES - FLORIDA
 3 4 1 0 2

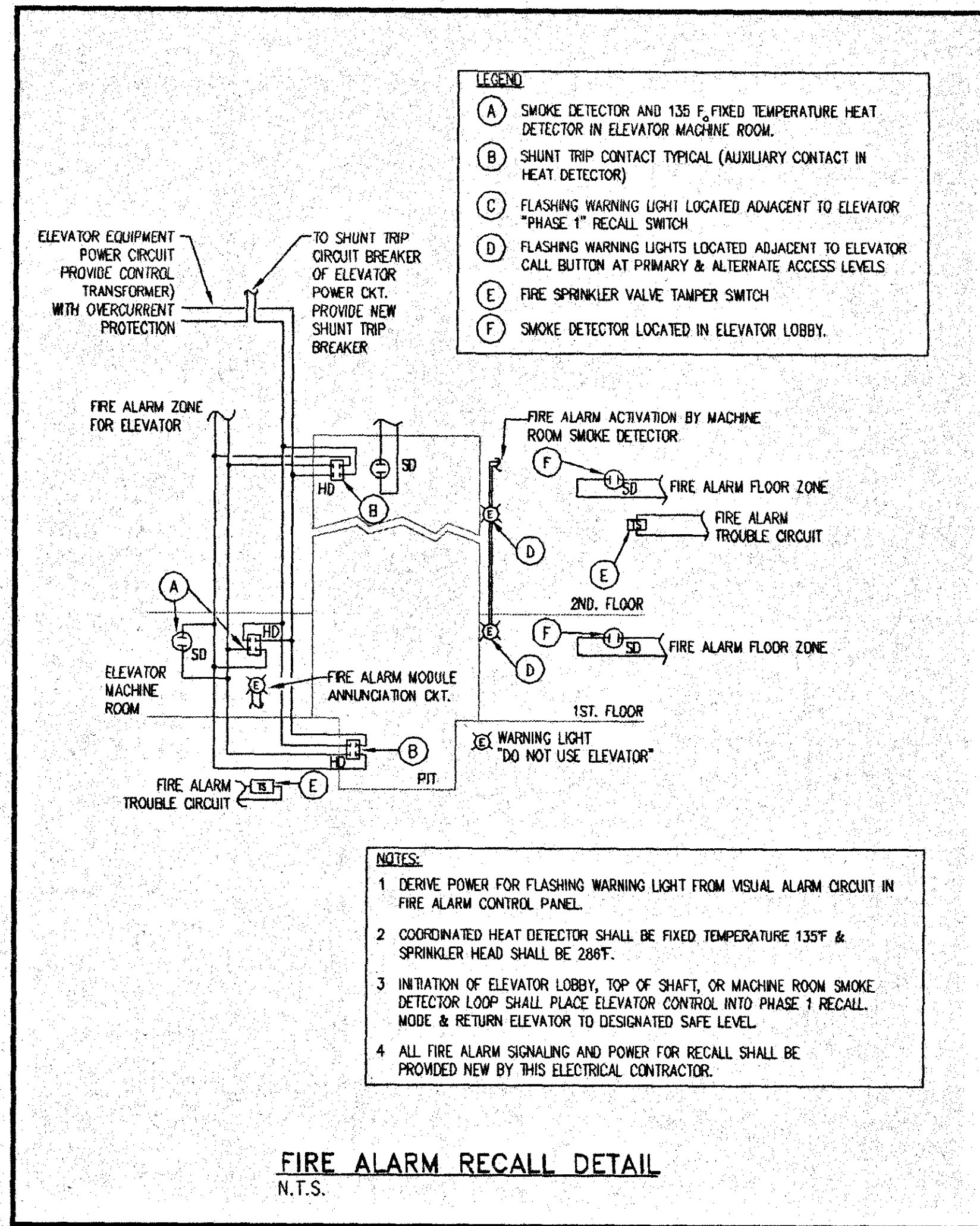
ELECTRICAL THIRD & TOP TIER PLAN

SCALE: 1/16"=1'-0"
 DRAWN BY: KJP
 PLOT DATE: _____
 ISSUED: 09 MAR 98

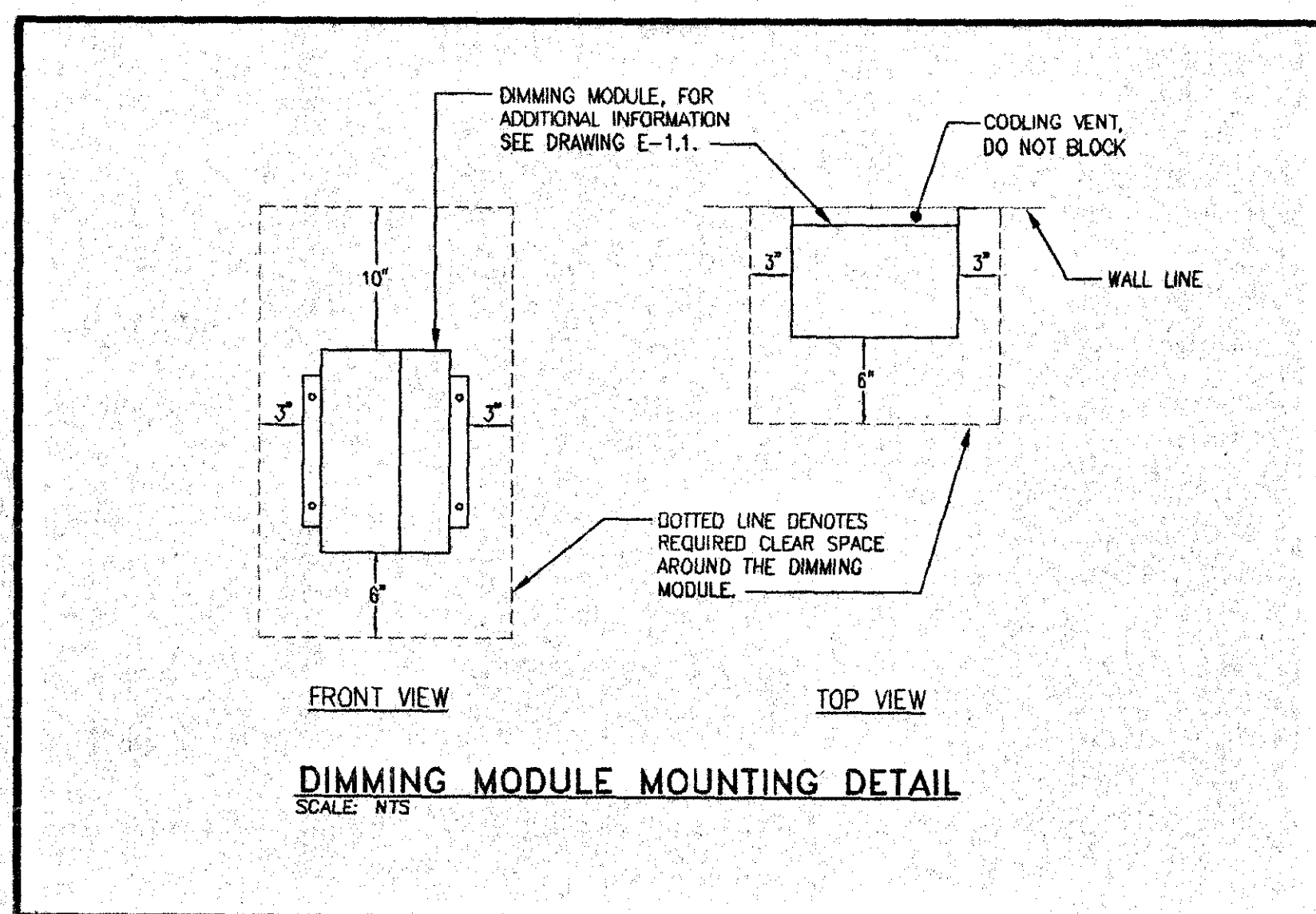
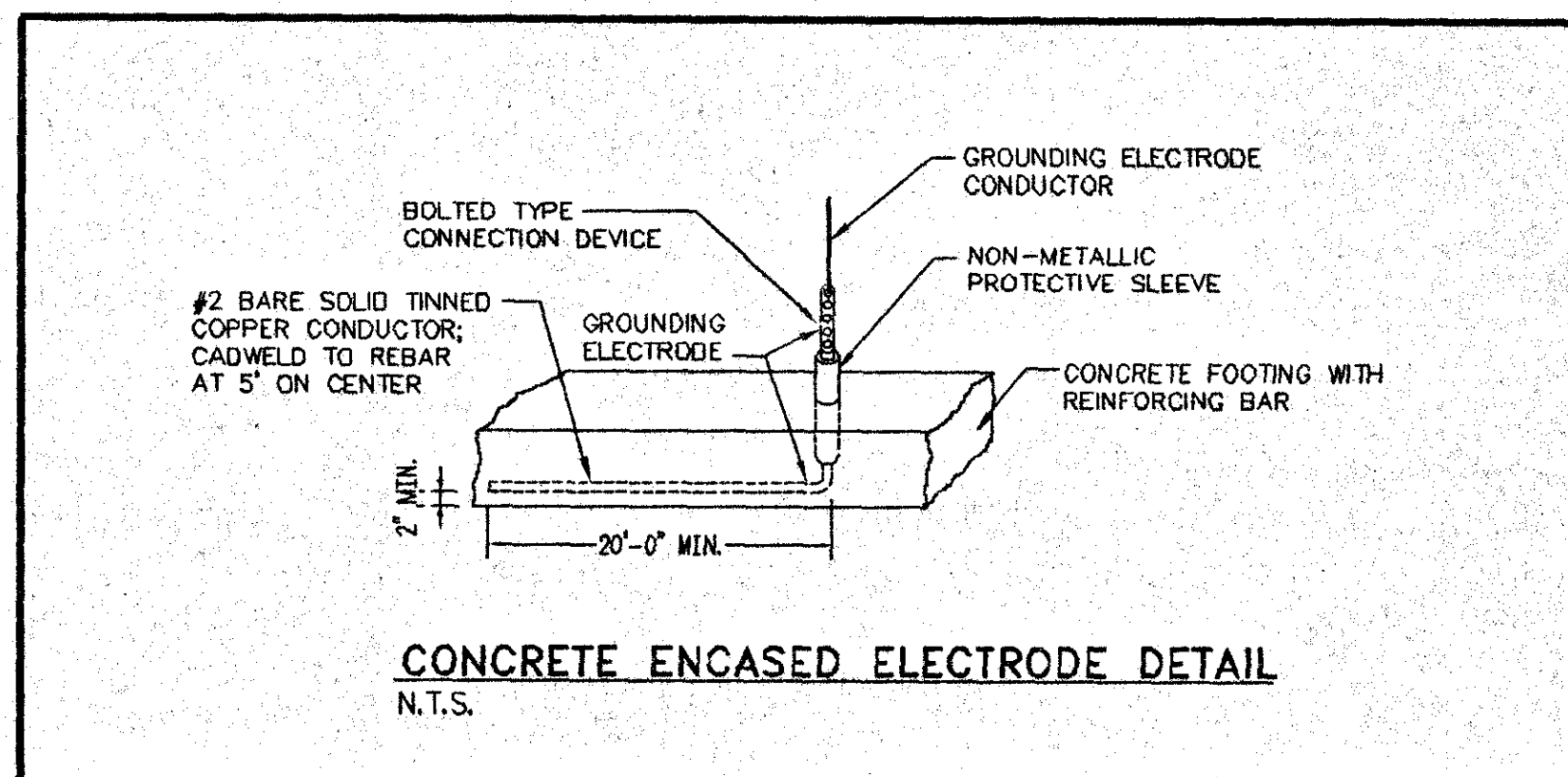
E-2.2

Tilden Lobnitz Cooper
 Electrical Engineers & Architects
 1415 Central Boulevard, Suite 200
 Ft. Myers, Florida 33901
 TEL: 941-336-1111 FAX: 941-336-1112
 DATE: 12/19/97

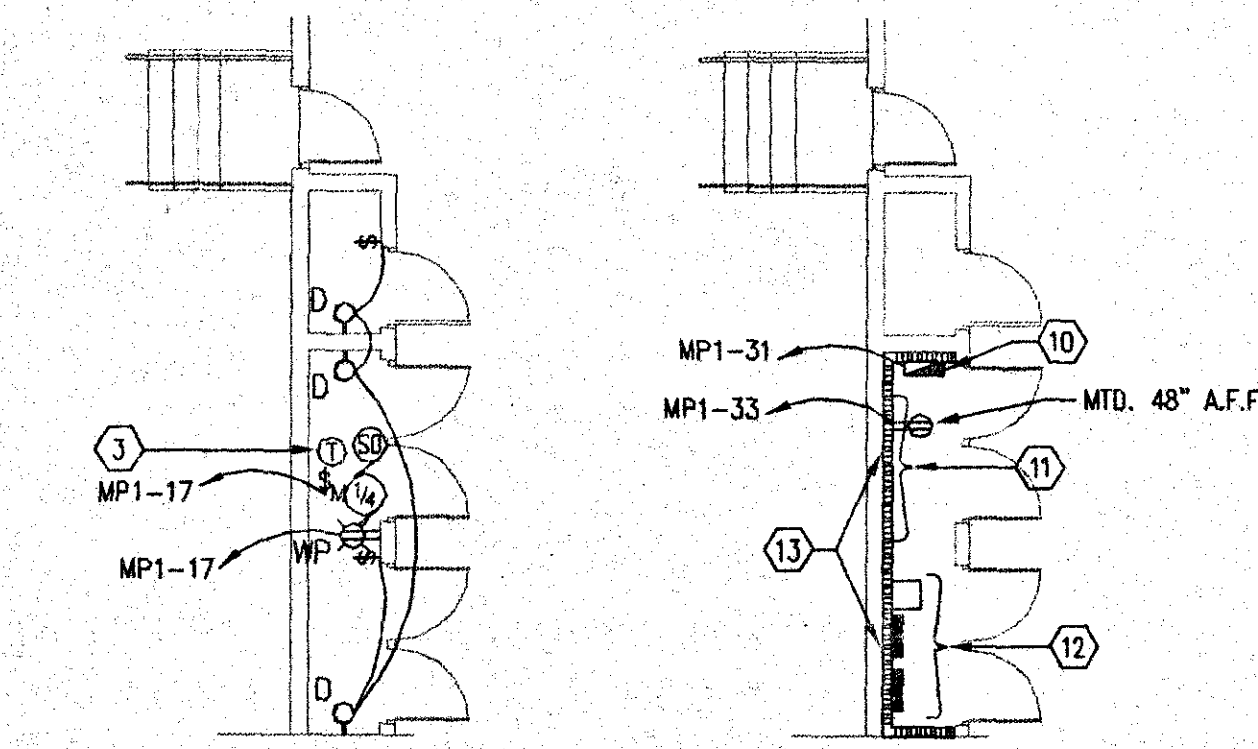
CONSTRUCTION DOCUMENT
 PHASE



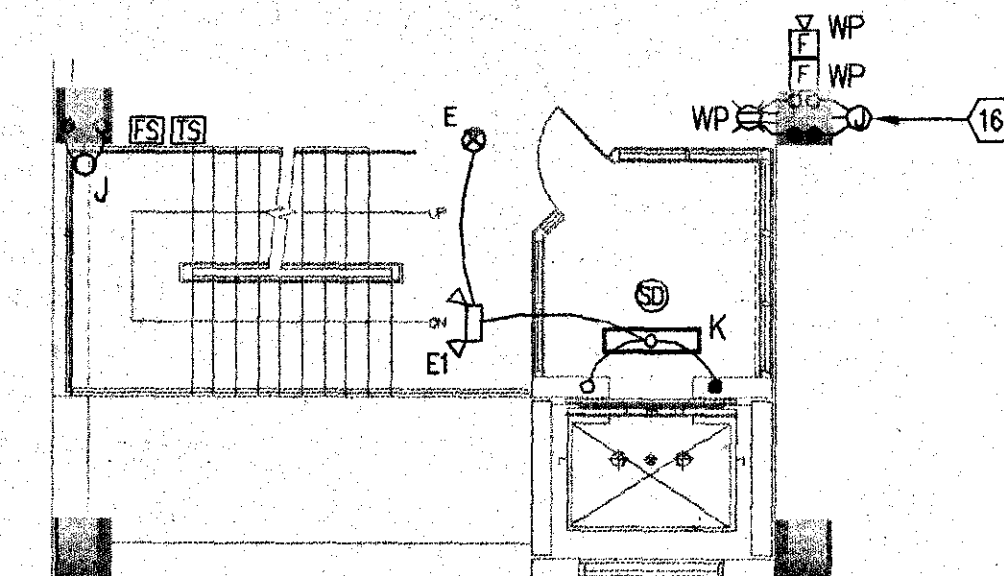
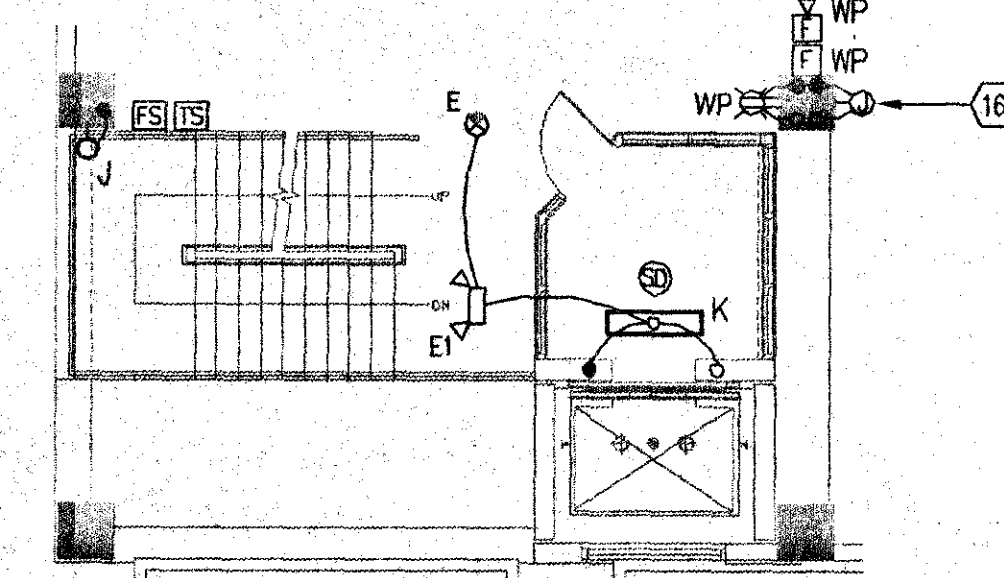
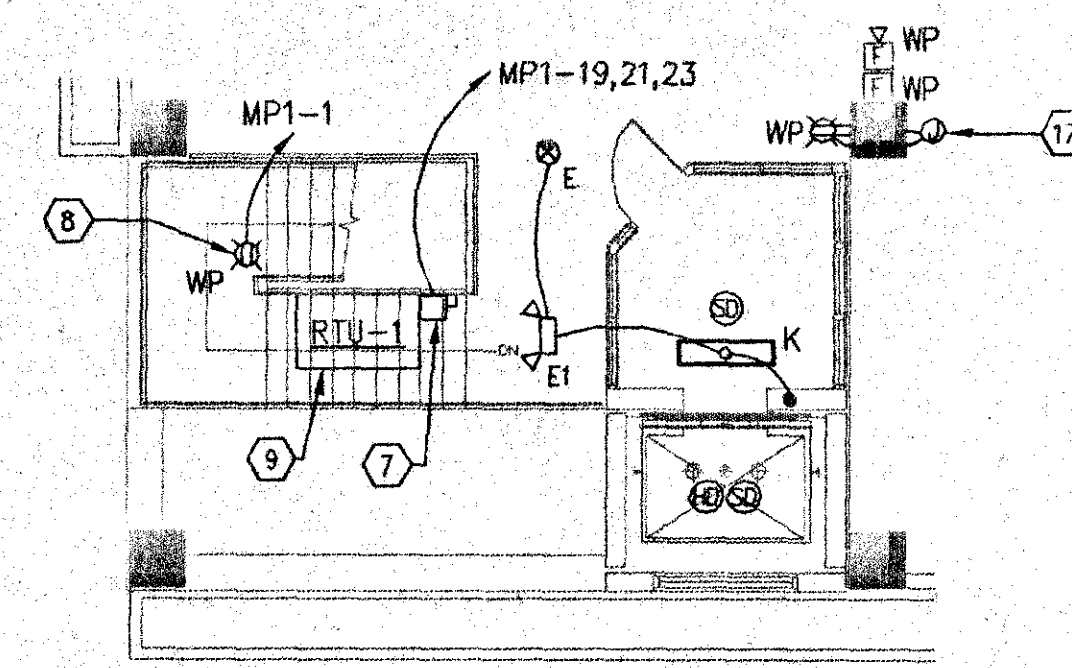
FIRE ALARM RECALL DETAIL
N.T.S.



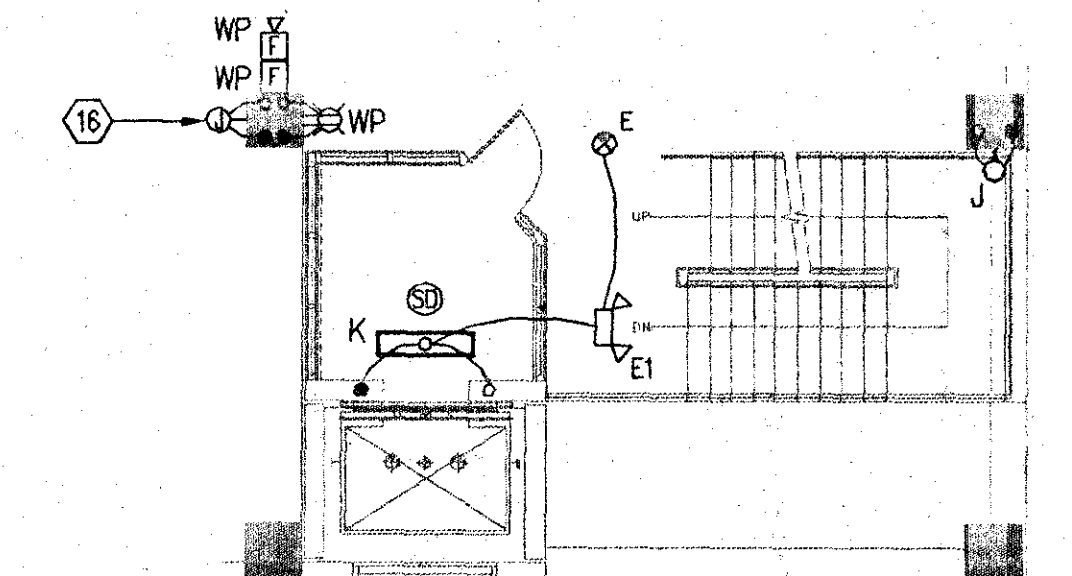
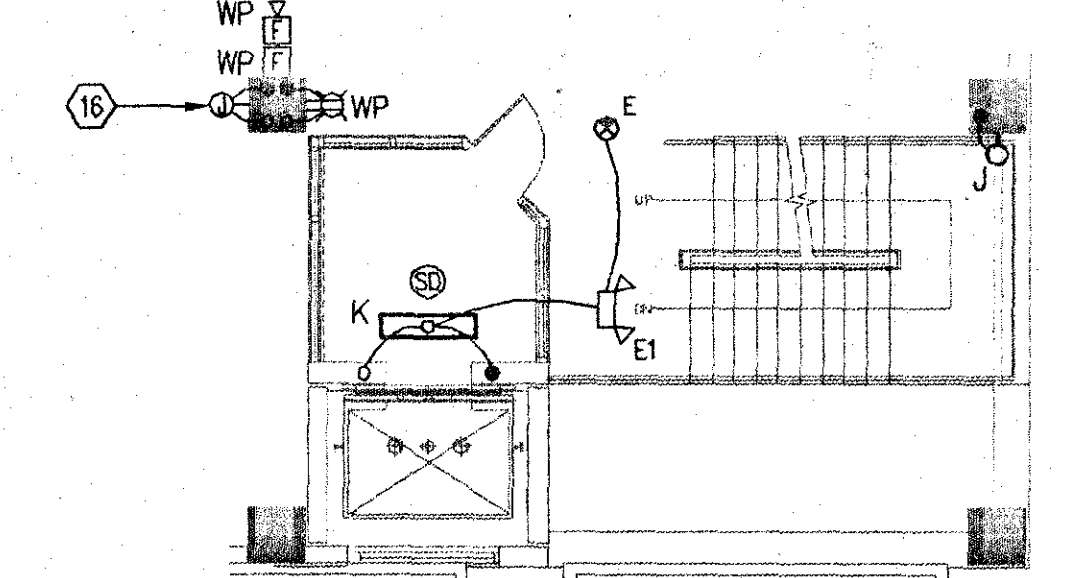
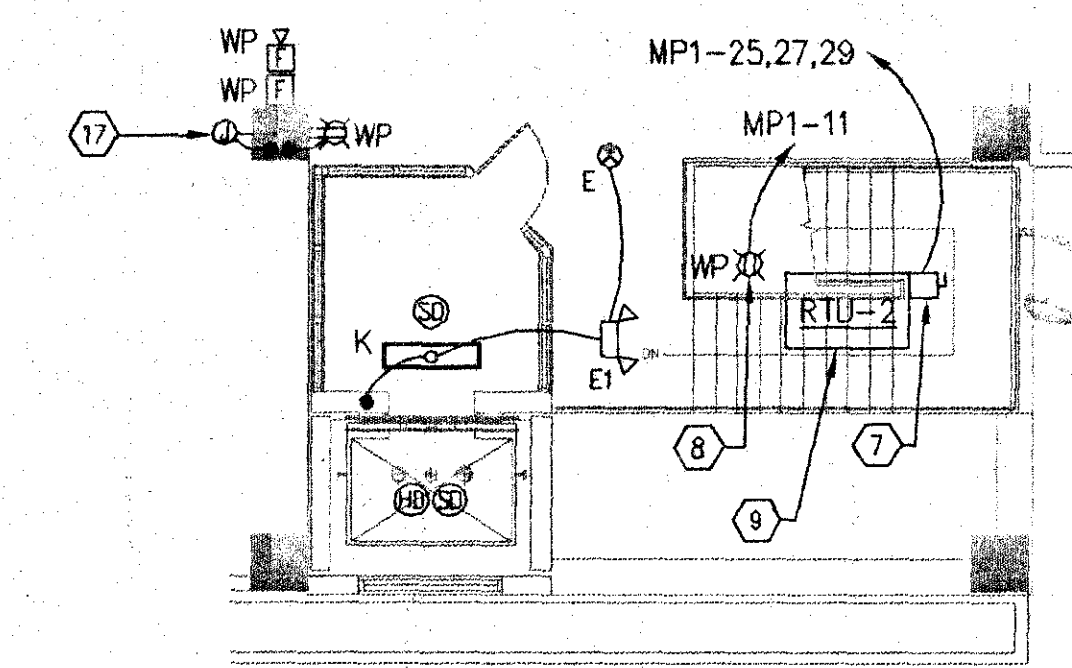
- KEYNOTES**
1. ELEVATOR UNIT DISCONNECT SWITCH, FOR ADDITIONAL INFORMATION REFER TO DRAWING E-1.1.
 2. ELEVATOR CAB LIGHTING DISCONNECT SWITCH, FOR ADDITIONAL INFORMATION REFER TO DRAWING E-1.1.
 3. IN-LINE THERMOSTAT FURNISHED BY THE MECHANICAL CONTRACTOR, INSTALLED AND WIRED BY THE ELECTRICAL CONTRACTOR.
 4. ELEVATOR PIT LIGHT AND RECEPTACLE, COORDINATE EXACT LOCATION WITH THE ELEVATOR INSTALLER.
 5. JUNCTION BOX FOR POSSIBLE TELEPHONE INTERFACE WITH ELEVATOR CAB, COORDINATE REQUIREMENTS WITH ELEVATOR INSTALLER.
 6. 3/4" EMPTY CONDUIT TO ELECTRICAL ROOM, TERMINATE WITH INSULATION BUSHING.
 7. NEMA 3R, 240V., 60A., 3P. DISCONNECT SWITCH.
 8. COORDINATE EXACT LOCATION AND MOUNTING OF MAINTENANCE RECEPTACLE IN THE FIELD WITH THE GENERAL CONTRACTOR.
 9. UNIT LOCATED ON ROOF OF STAIRWELL, COORDINATE EXACT LOCATION WITH MECHANICAL CONTRACTOR.
 10. FIRE ALARM CONTROL PANEL.
 11. LOCATION FOR LIGHTING CONTROL EQUIPMENT, FOR ADDITIONAL INFORMATION SEE DRAWING E-1.1.
 12. SERVICE EQUIPMENT, FOR ADDITIONAL INFORMATION SEE DRAWING E-1.1.
 13. 3/4" x 8'-0" HIGH PLYWOOD BACKBOARD, PROVIDED WITH TWO (2) COATS OF BLACK FIRE-PROOF PAINT.
 14. 3/4" EMPTY CONDUIT TO ELECTRIC ROOM TERMINATED WITH INSULATING BUSHING AT BACKBOARD.
 15. JUNCTION BOX (48" A.F.F.) FOR FUTURE EMERGENCY CALL TELEPHONE, PROVIDE 3/4" EMPTY CONDUIT TO BOX ABOVE.
 16. JUNCTION BOX (48" A.F.F.) FOR FUTURE EMERGENCY CALL TELEPHONE, PROVIDE 3/4" EMPTY CONDUIT TO BOXES BELOW AND ABOVE.
 17. JUNCTION BOX (48" A.F.F.) FOR FUTURE EMERGENCY CALL TELEPHONE, PROVIDE 3/4" EMPTY CONDUIT TO BOX BELOW.



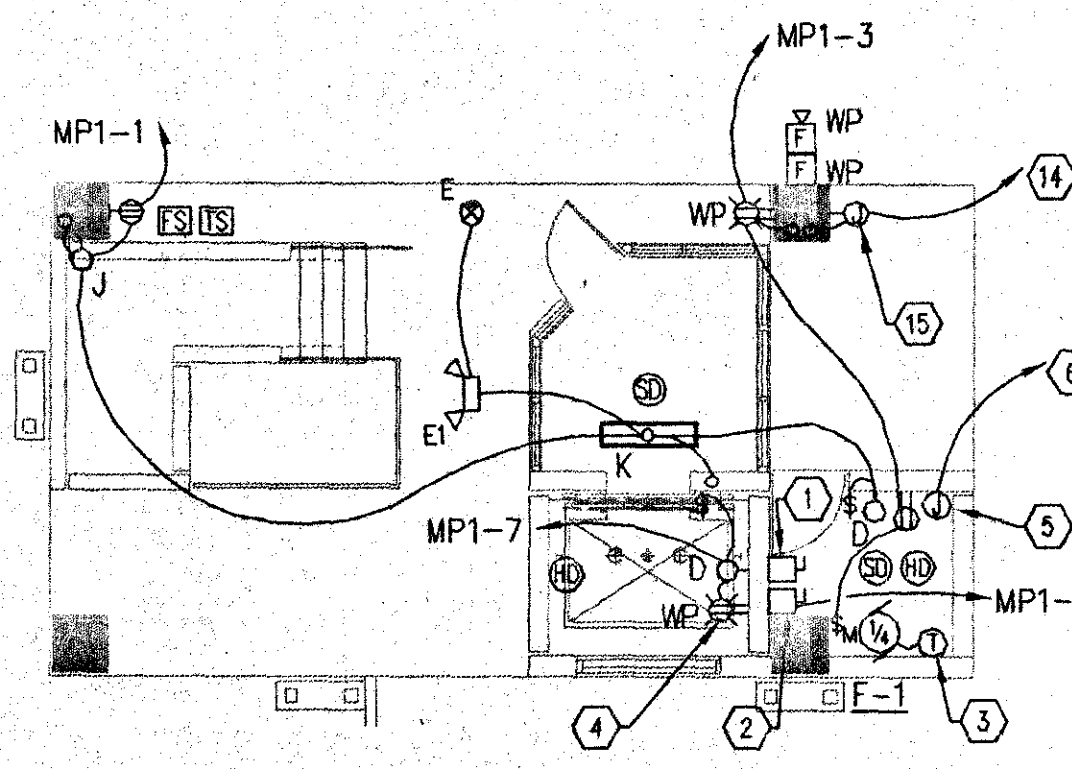
ELECTRICAL ROOM



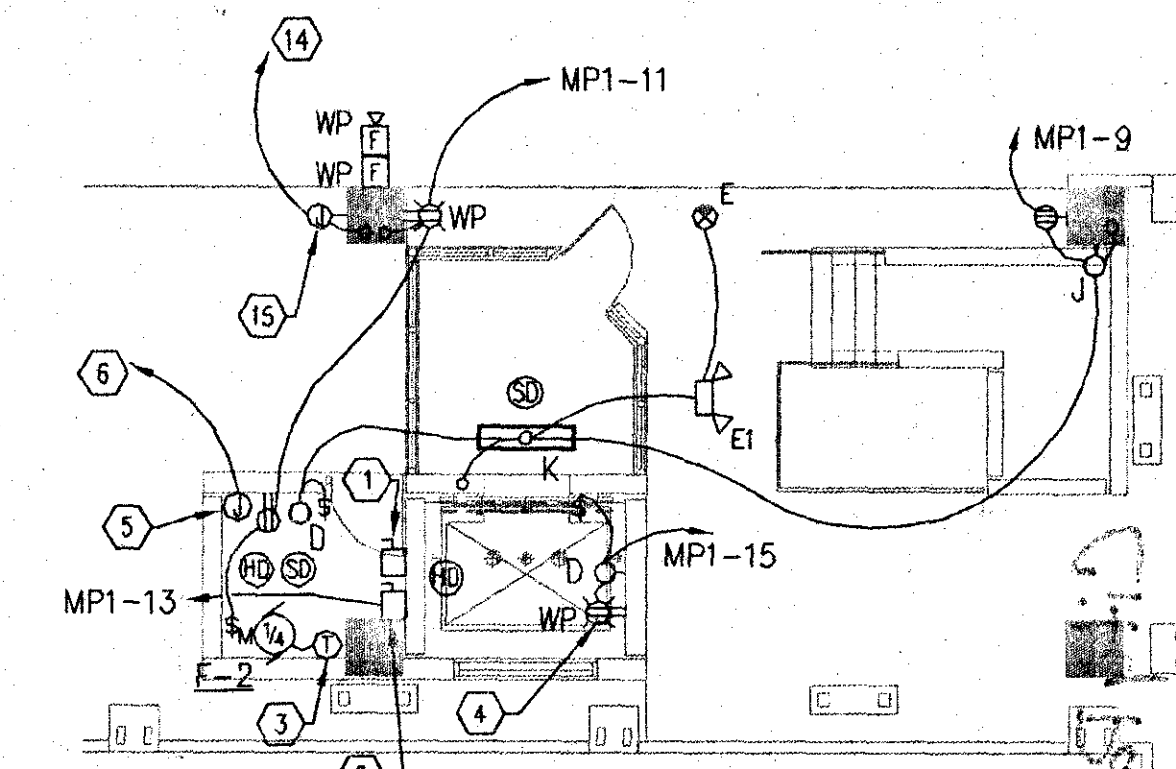
SECOND FLOOR WEST



SECOND FLOOR EAST



GROUND FLOOR WEST



GROUND FLOOR EAST

ELECTRICAL PART PLANS AND DETAILS
SCALE: 1/8"=1'-0"



TLC Tilden Lubrizol-Cooper
Engineering for Architecture
1400 Central Expressway, Suite 200
Naples, Florida 34107 (941) 431-4200
FAX: (941) 431-4201

JOB NO. LA 97-050
CAD FILE E31
SCALE: 1/8"=1'-0"
DATE: 12/19/97

ANDREA CLARK BROWN ARCHITECTS

AA2302

6 1 6
511 AVENUE SO.
NAPLES, FLORIDA
3 4 1 0 2

TEL: 941-263-3898
FAX: 941-263-6025

SUBMITTALS

ORIGIN	
FOR 310	03 MAR. 98

REVISIONS

NO.	DESC.	DATE

PUBLIC PARKING FACILITY

4th Ave S. & 8th St.
NAPLES - FLORIDA
3 4 1 0 2

ELECTRICAL PART PLANS

SCALE: 1/8"=1'-0"
DRAWN BY: IKP
PLOT DATE:
ISSUED: 09 MAR 98

E-3.1

CONSTRUCT ON DOCUMENT PHASE

LA 97-050 E31.DWG 03/09/98 08:28 IKP